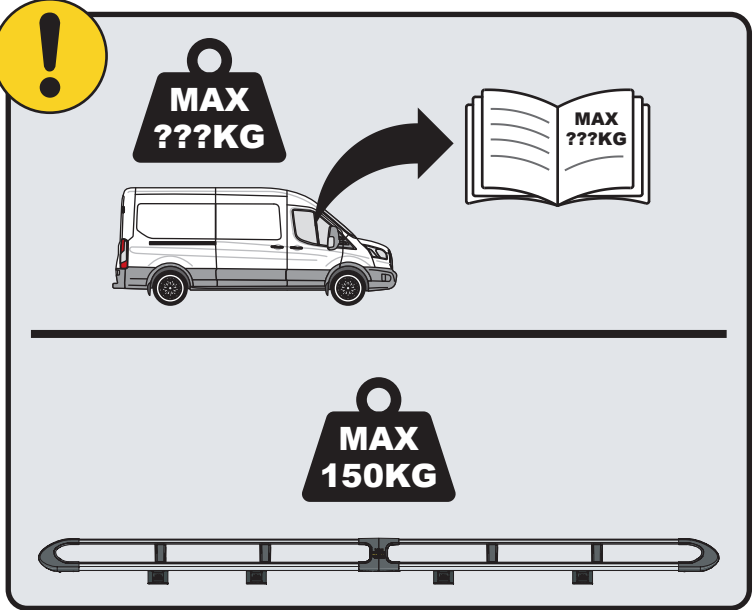
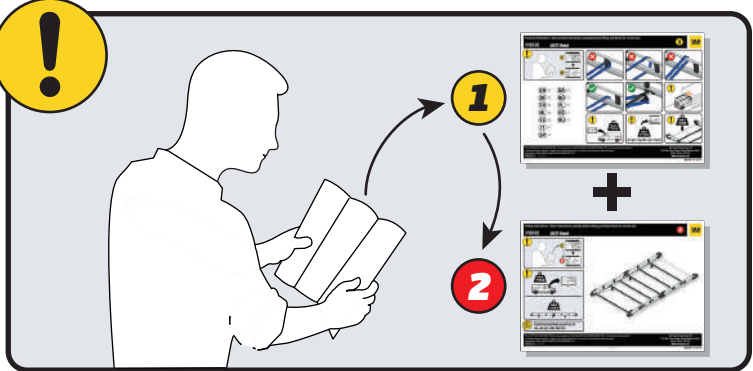


# IN8329

## ULTI Rack+



 [Customercare@van-guard.co.uk](mailto:Customercare@van-guard.co.uk)  
UK +44 (0) 1392 368 351

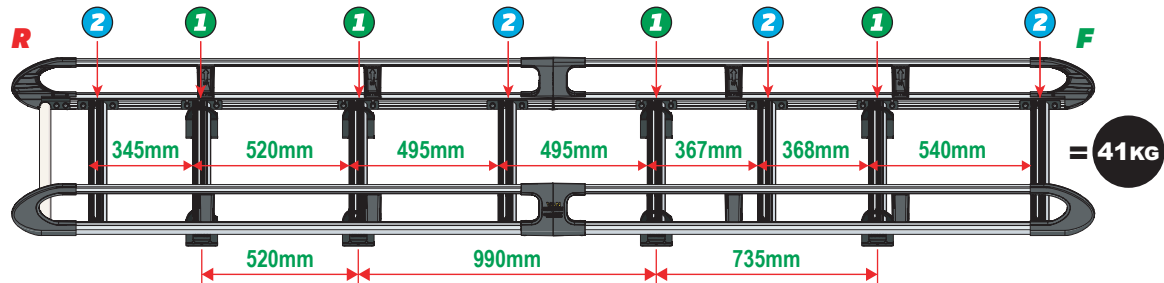
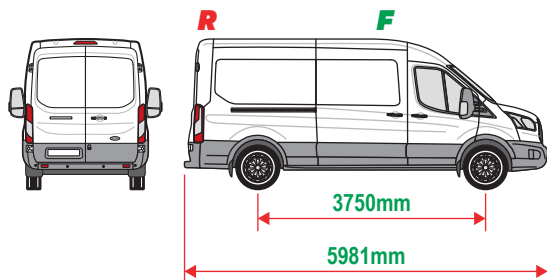


This FITTING INSTRUCTION is the property of VAN GUARD ACCESSORIES LTD. and must not be used for manufacturing purposes, copied nor communicated in any way to third parties without written permission from VAN GUARD ACCESSORIES LTD.  
IN8329\_A (CN:NR)

Van Guard Accessories Ltd  
Fair Oak Close, Exeter Airport Business Park,  
Exeter, Devon, EX5 2UL  
[www.van-guard.co.uk](http://www.van-guard.co.uk)

# VGUR-258

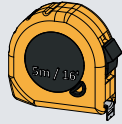
Ford Transit: 2014 on  
L3H2 (LWB)  
Twin Rear Doors



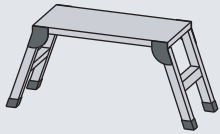
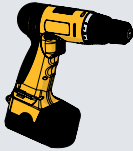
**SUPPLIED COMPONENTS - CHECK ALL PARTS ARE PRESENT AND CORRECT BEFORE PROCEEDING (1 OF 2)**

**TOOLS REQUIRED**

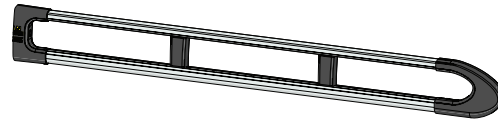
**10MM X1**



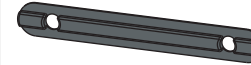
**13MM X1**



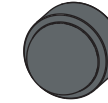
**AS3545 X2**  
(3400 / A)



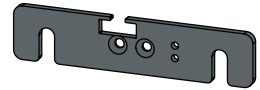
**MA6118 X16**



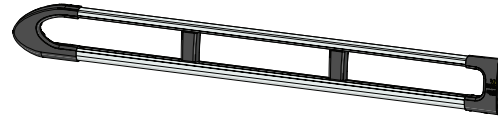
**FX4241 X36**



**ME1622 X4**



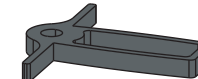
**AS3544 X2**  
(3400 / B)



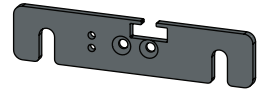
**FX4008 X1**



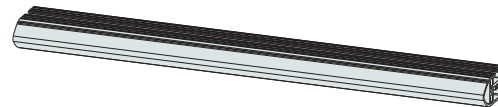
**MA6145 X1**



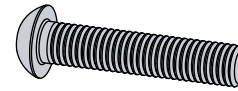
**ME1623 X4**



**ME1628 X8**  
(1554mm)



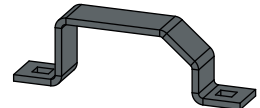
**FX4001 X2**  
(M8X40)



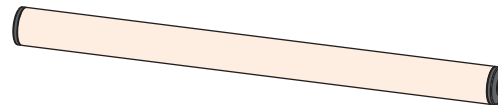
**FX4235 X32**  
(M5X25)



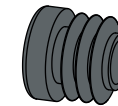
**ME0203 X8**



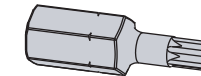
**AS3160 X1**  
(1540mm)



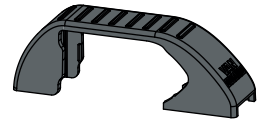
**MA6007 X4**



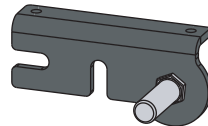
**FX4248 X1**  
(T25)



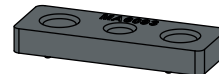
**MA6065 X8**



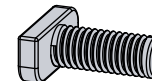
**AS3590 X1**



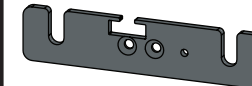
**MA6093 X16**



**FX4239 X36**  
(M8X20)



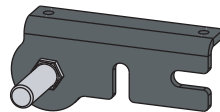
**ME1620 X4**



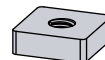
**FX4016 X16**  
(M6)



**AS3591 X1**



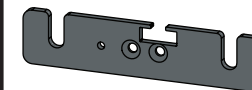
**ME0316 X16**



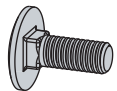
**FX4240 X36**  
(M8)



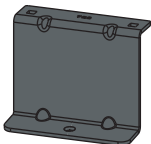
**ME1621 X4**



**FX4042 X16**  
(M6X16)



**ME0786 X8**



**FX4019 X8**

(M8)



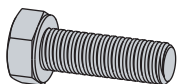
**FX4020 X8**

(M8)

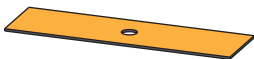


**FX4028 X8**

(M8X25)

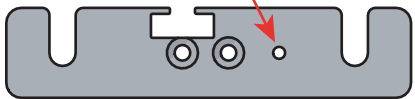


**MA6018 X8**



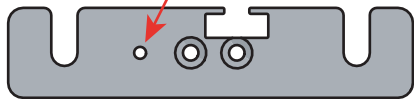
01

1L



X4

1R



X4



2L



X4

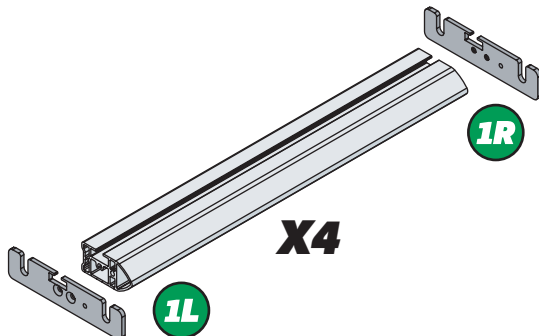
2R



X4

02

1R

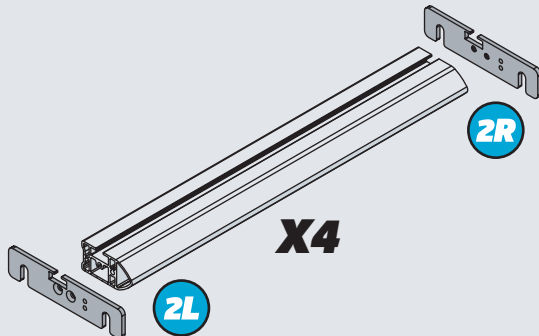


X4

1L



2R



X4

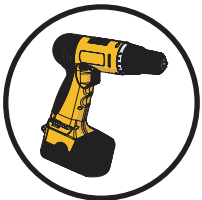
2L



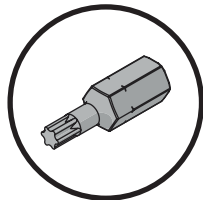
03

01

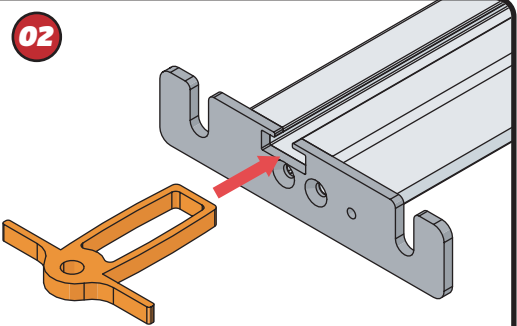
FX4248



+



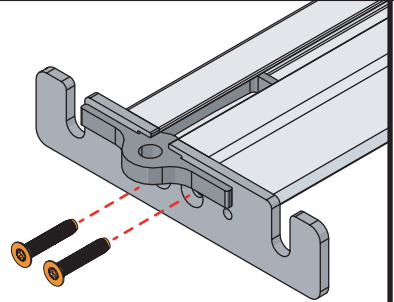
02



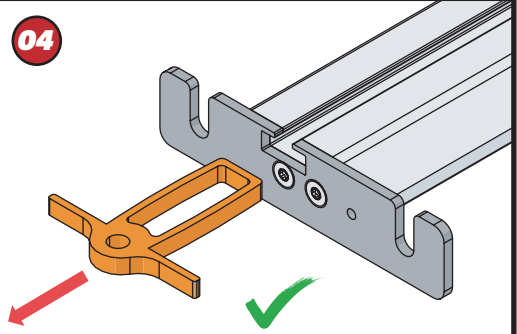
03



11Nm



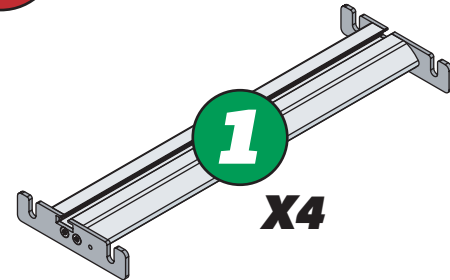
04



04

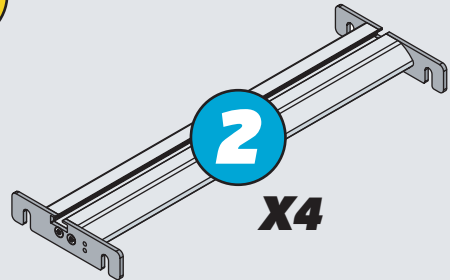


1

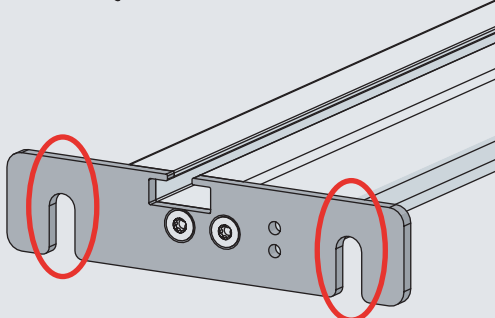
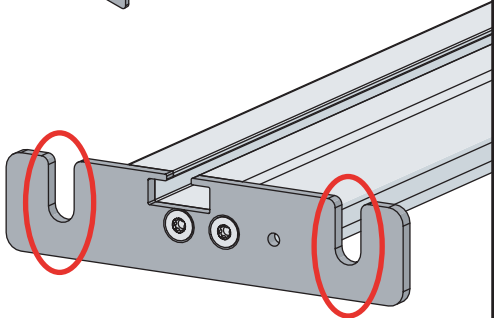


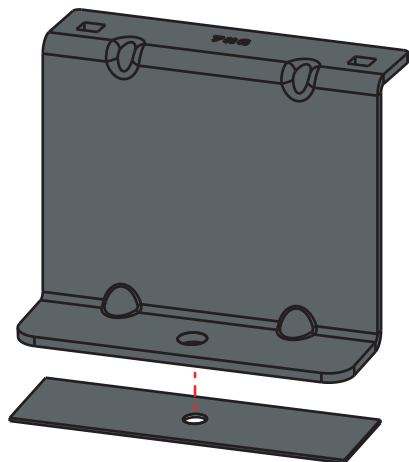
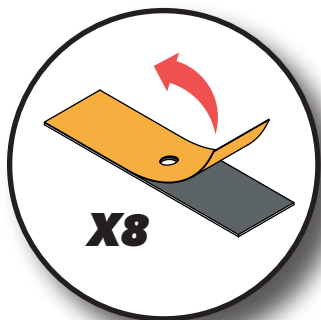
X4

2



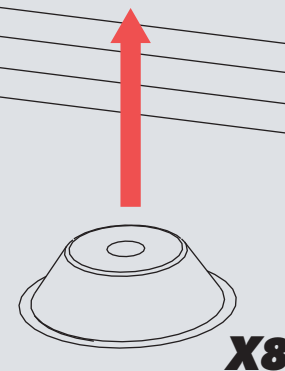
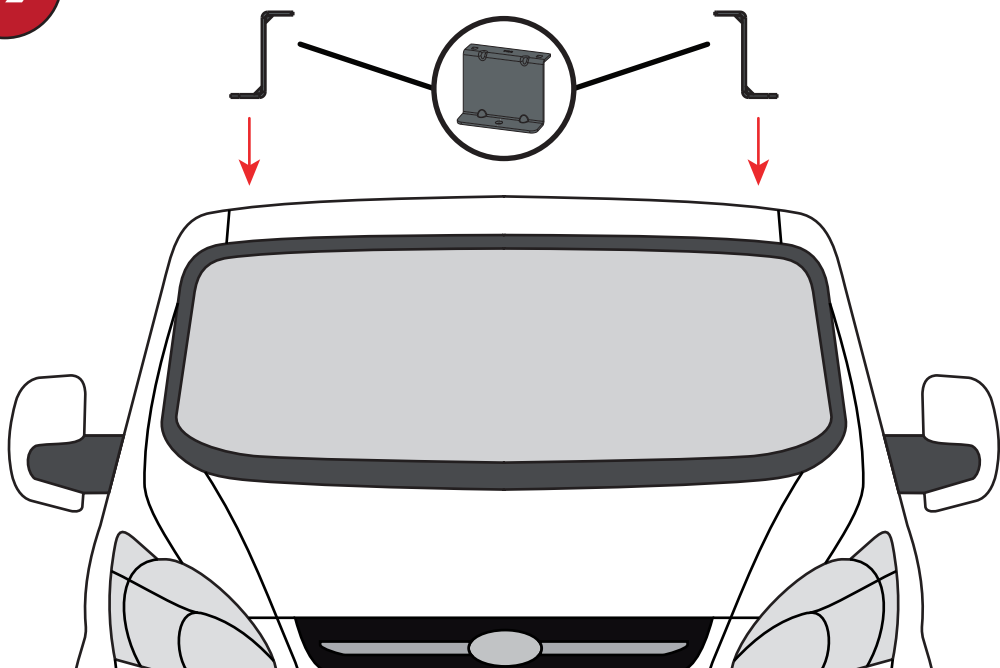
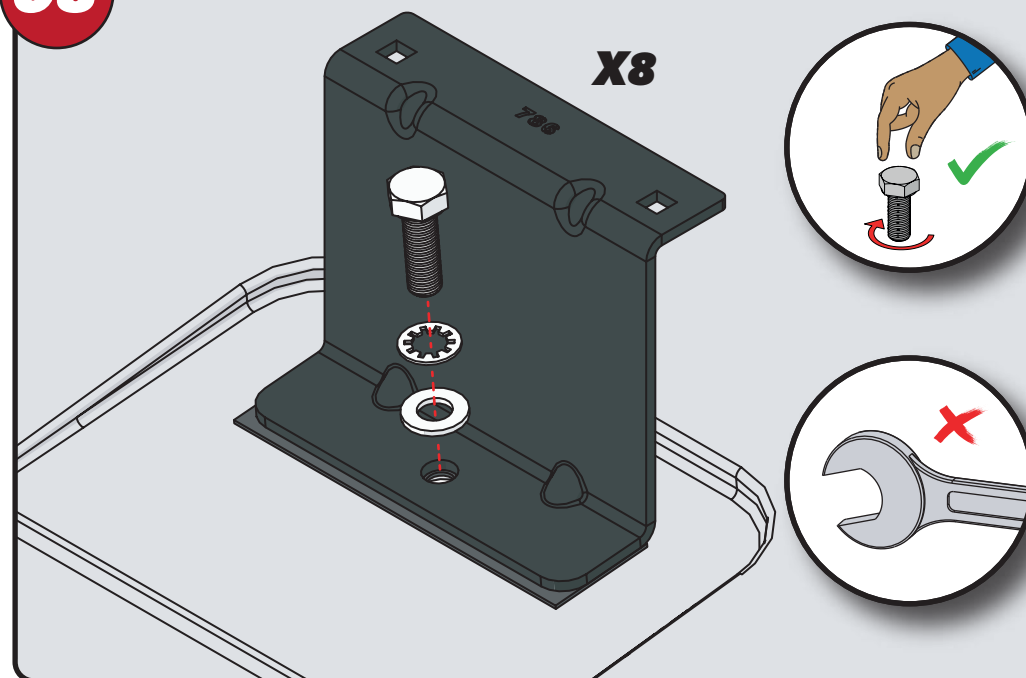
X4

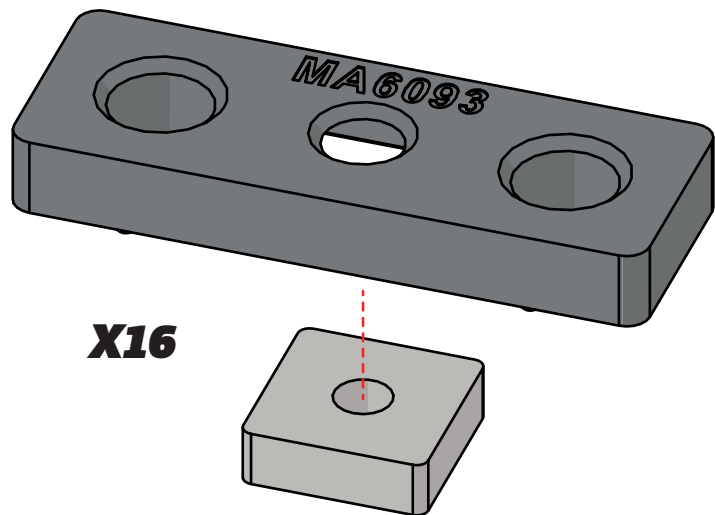
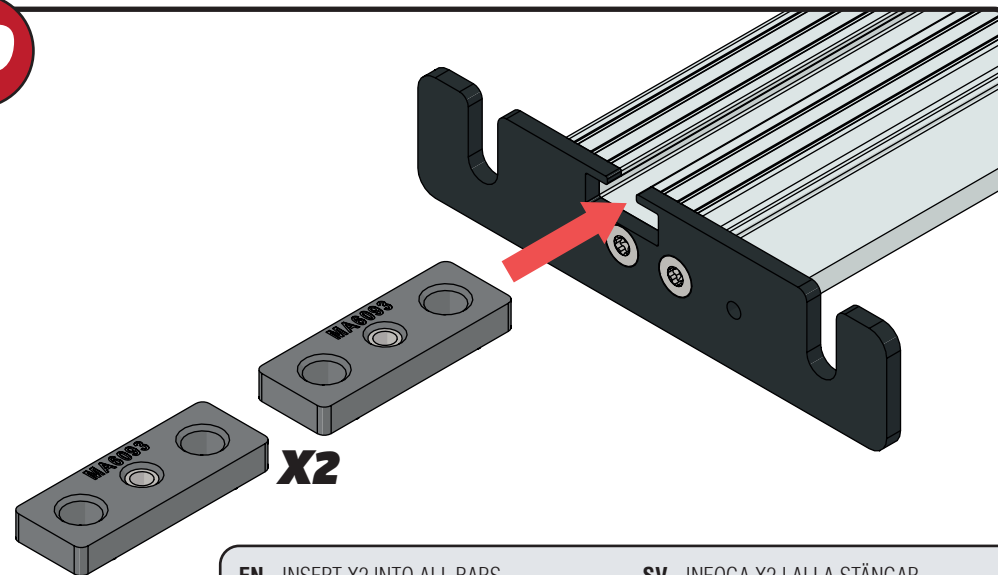


**05**

EN - STICK GASKETS TO ALL BRACKETS  
 DE - KLEBEN SIE DIE DICHTUNG AN ALLEN HALTERUNGEN  
 FR - COUSSINETS ADHÉSIFS À TOUS LES SUPPORTS  
 NL - PLAK PAKKING OP ALLE BEUGELS  
 ES - PEGA LAS ALMOHADILLAS A TODOS LOS SOPORTES  
 IT - ADESIVI GUARNIZIONI A TUTTE LE STAFFE

SV - FÄST GUMMI PÅ ALLA FÄSTEN  
 DA - KLÆB GUMMI PÅ ALLE BESLAG  
 NO - PLIST GUMMI PÅ ALLE BRAKKETTER  
 PL - NAKLEJ USZCZELKI DO WSZYSTKICH WSPORNIKÓW  
 CS - PŘILEPTE TĚSNĚNÍ NA VŠECHNY DRŽÁKY

**06****07****08**

**09****10**

EN - INSERT X2 INTO ALL BARS

DE - X2 IN ALLE STANGEN EINFÜGEN

FR - INSÉRER X2 DANS TOUTES LES BARRES

NL - PLAATS X2 IN ALLE BARS

ES - INSERTAR X2 EN TODAS LAS BARRAS

IT - INSERIRE X2 IN TUTTE LE BARRE

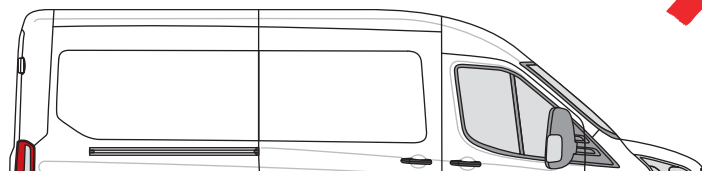
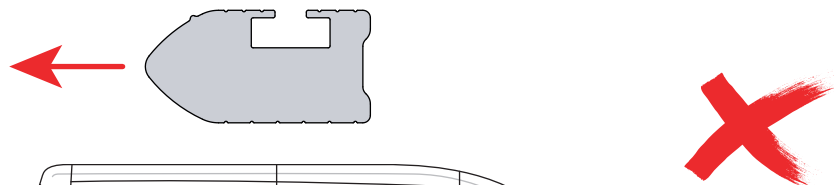
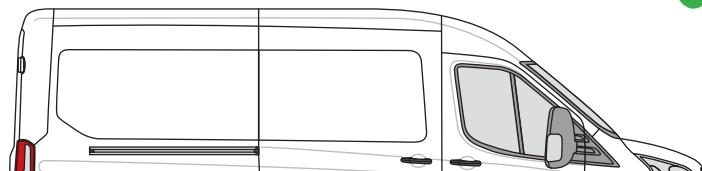
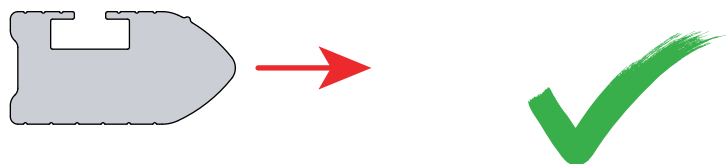
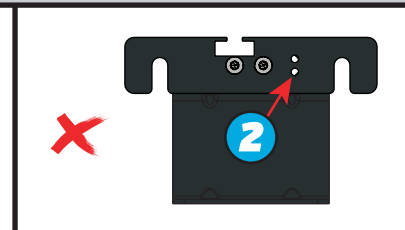
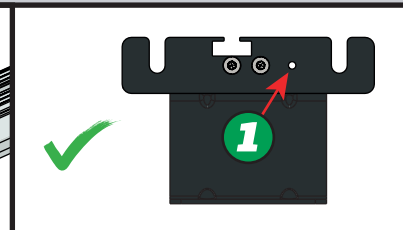
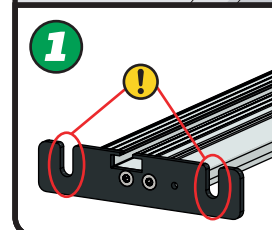
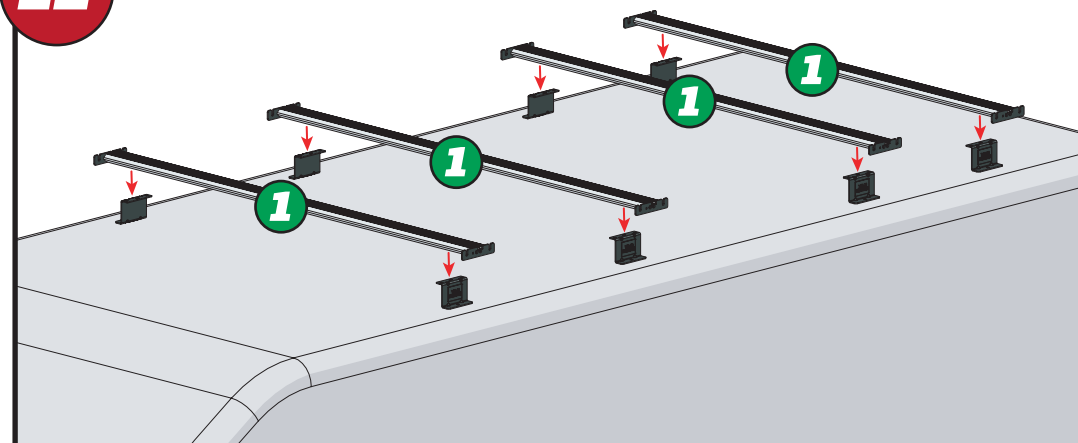
SV - INFOGA X2 I ALLA STÄNGAR

DA - INDSÆT X2 I ALLE STÆNGER

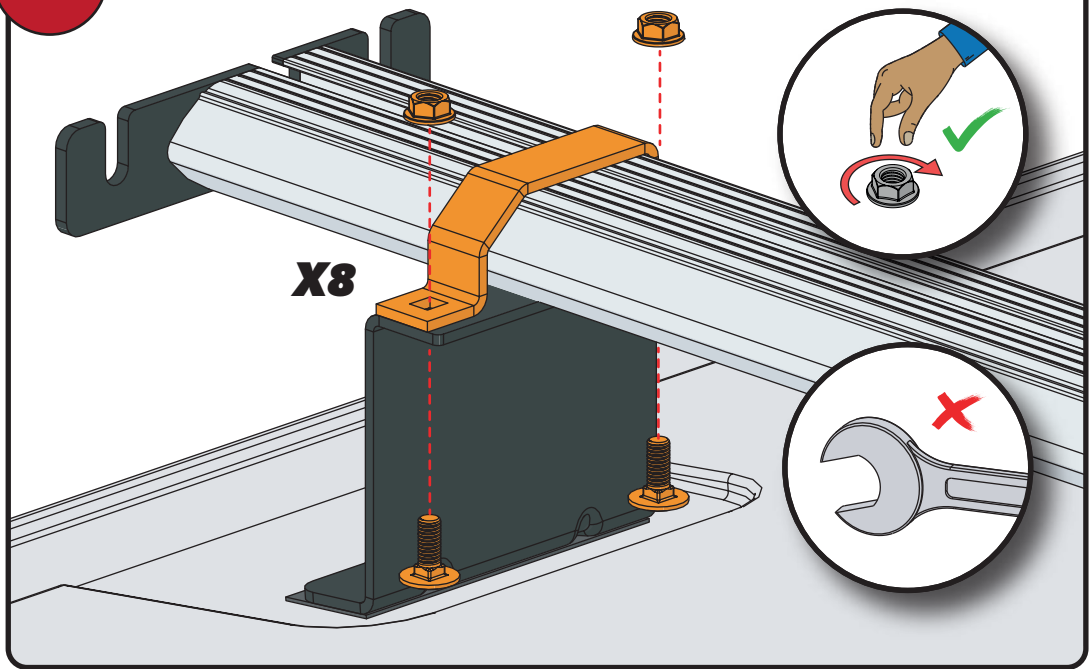
NO - SETT X2 INN I ALLE TAKSTENGER

PL - WSTAW X2 DO WSZYSTKICH PRĘTÓW

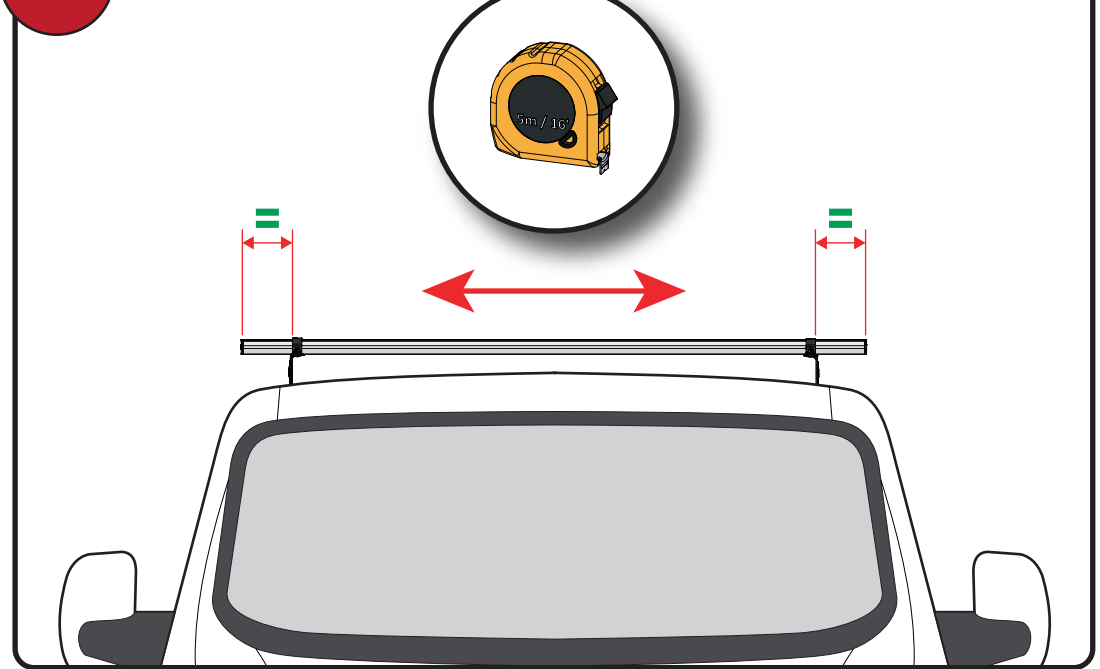
CS - VLOŽTE X2 DO VŠECH TYČÍ

**11****12**

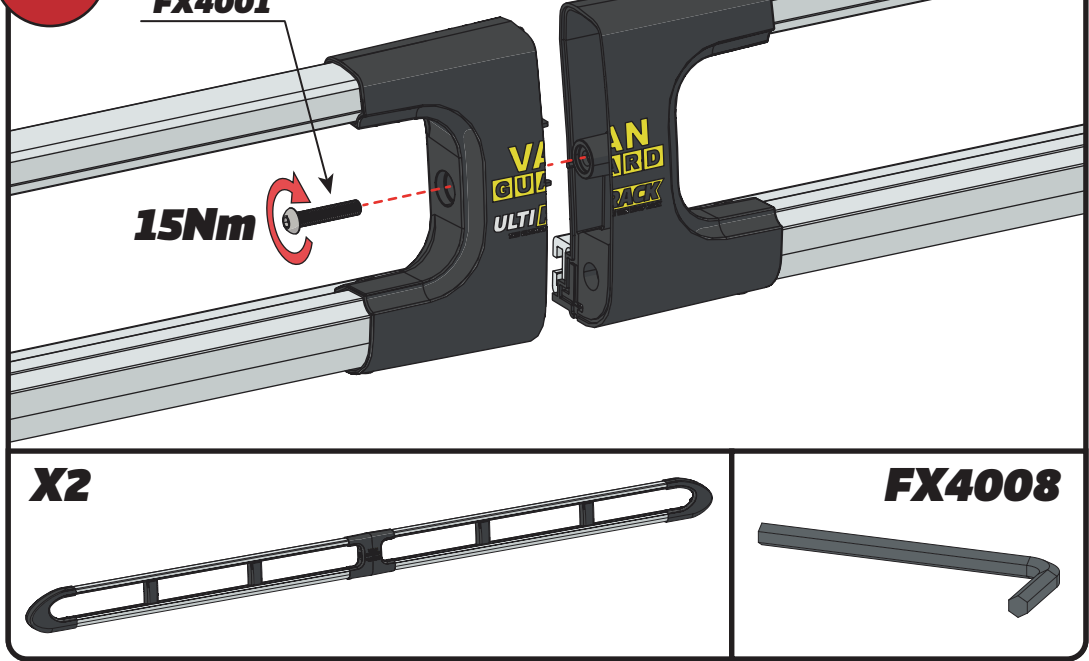
13



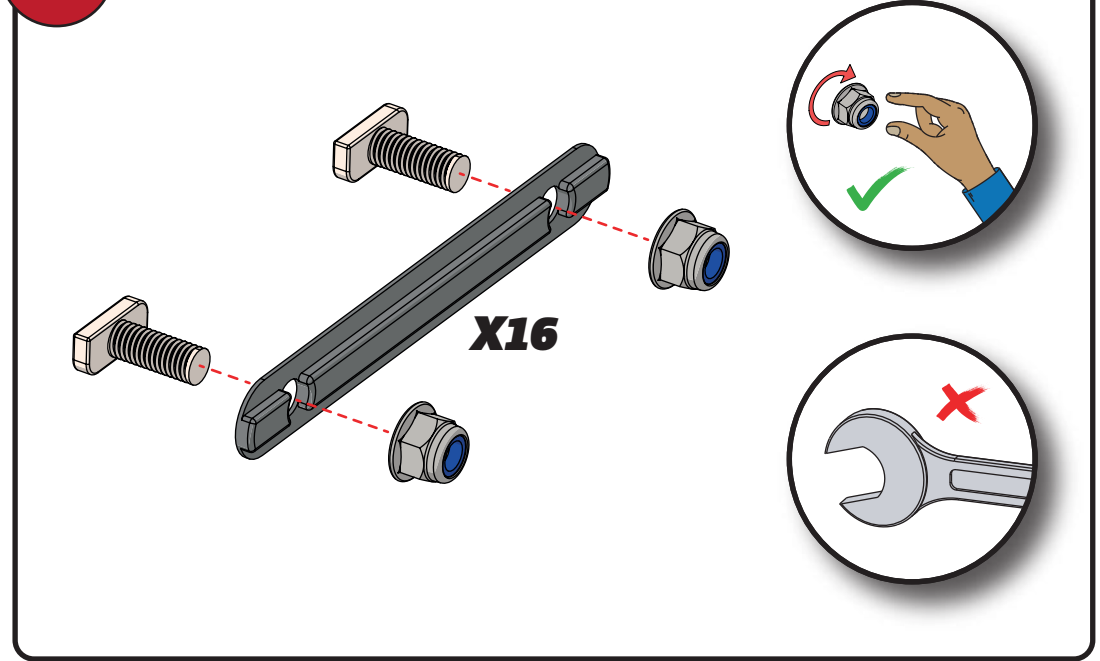
14



15

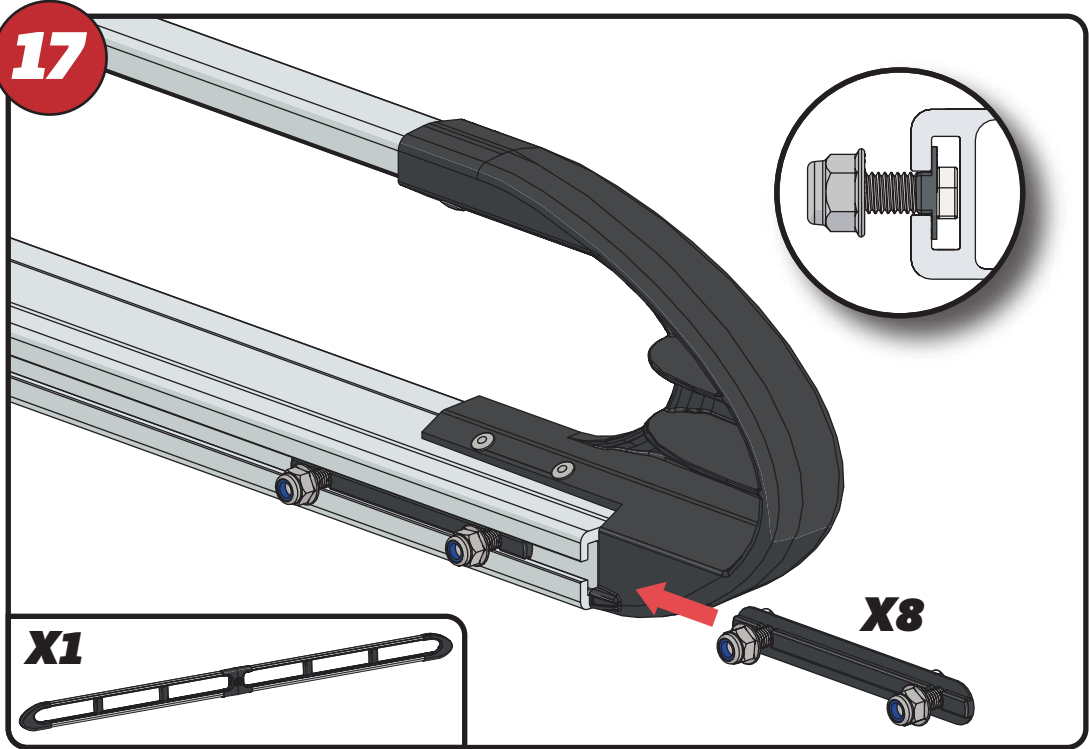


16

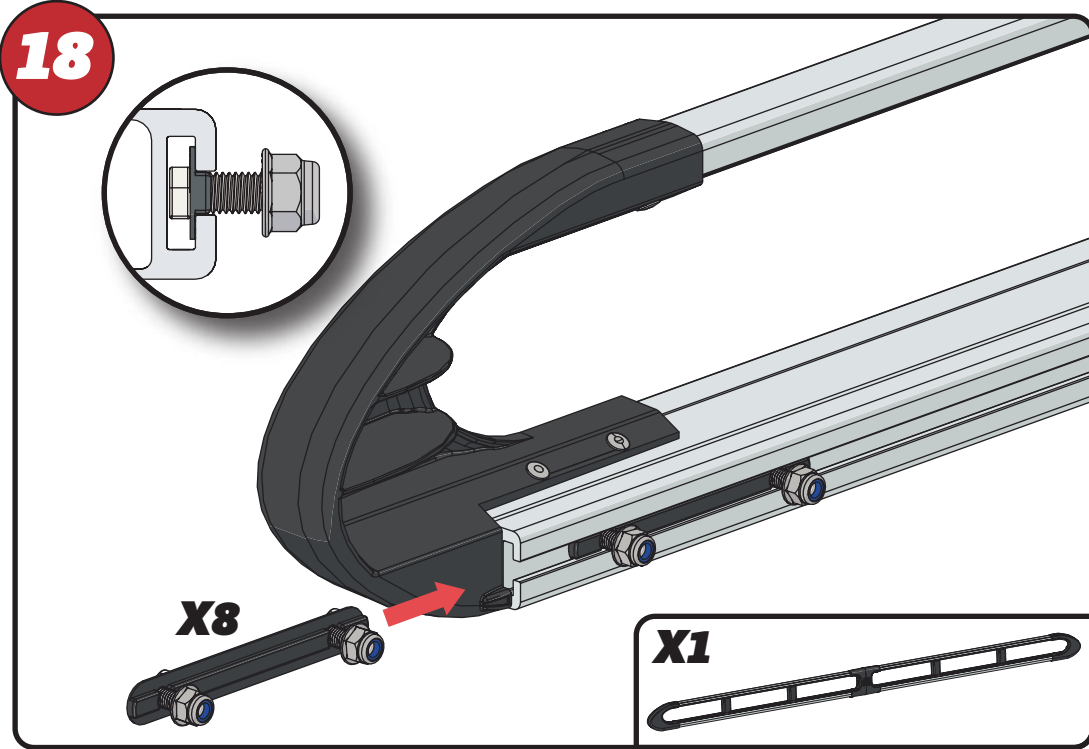




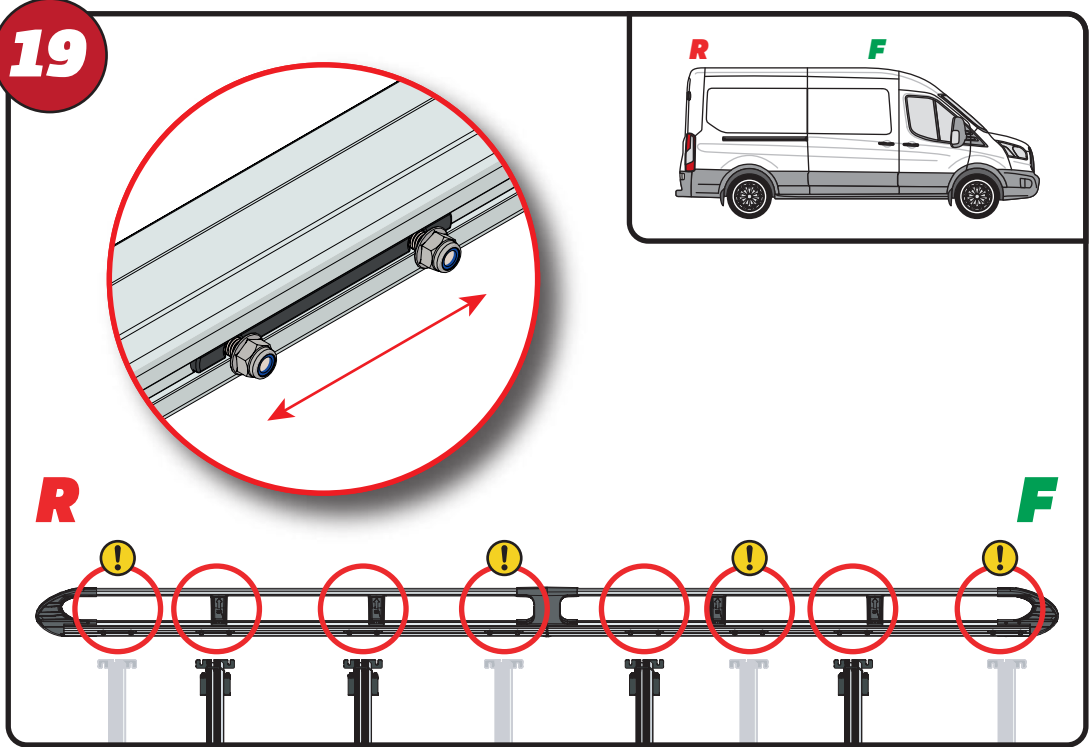
17



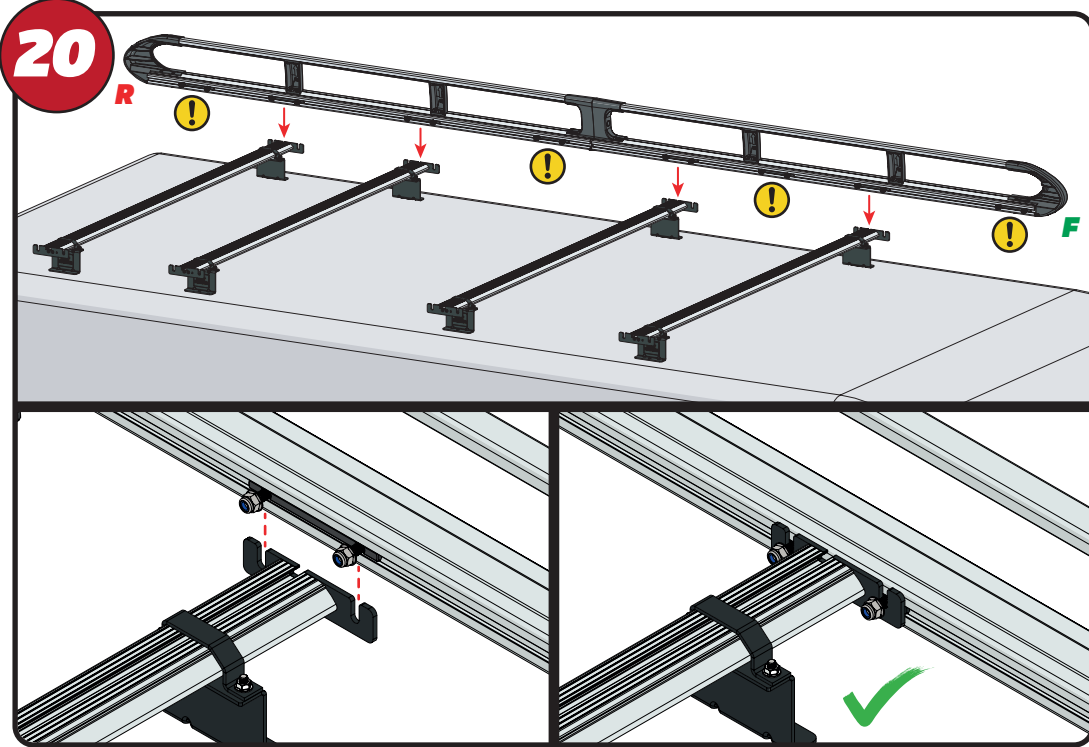
18



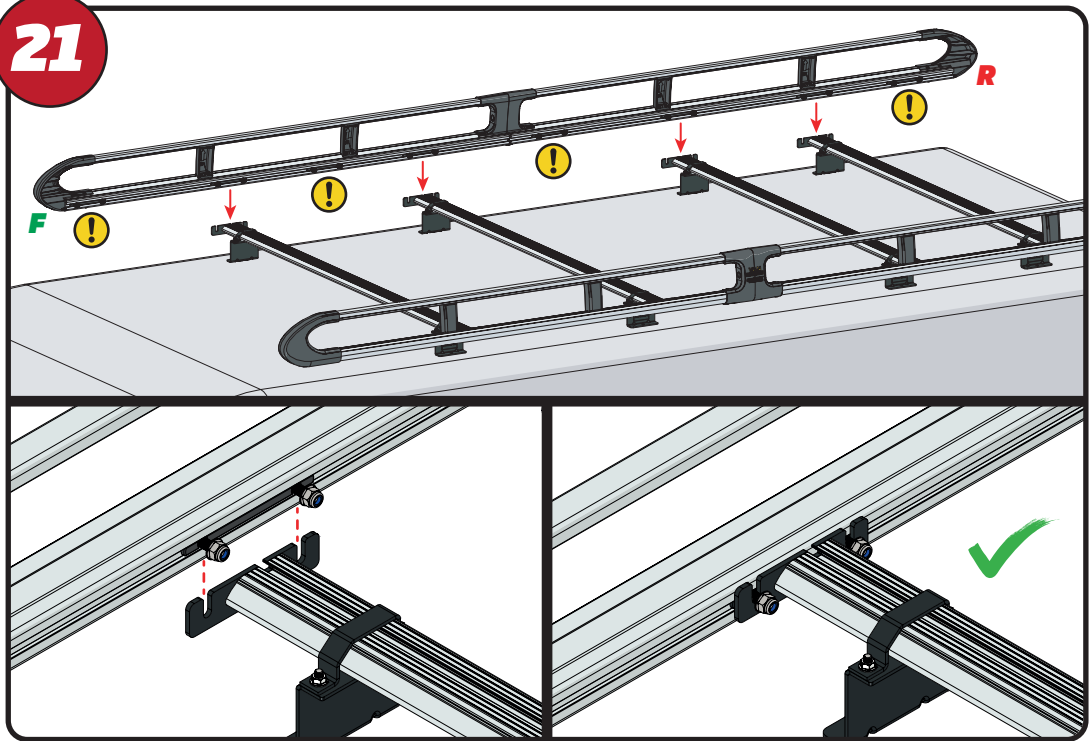
19



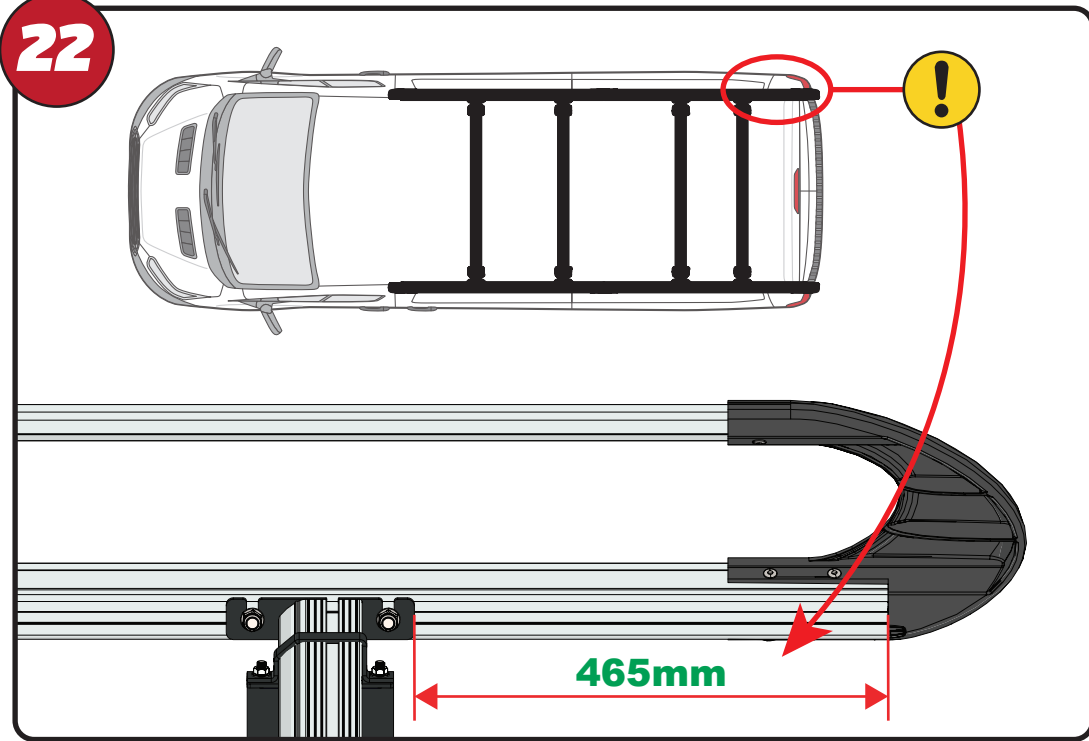
20



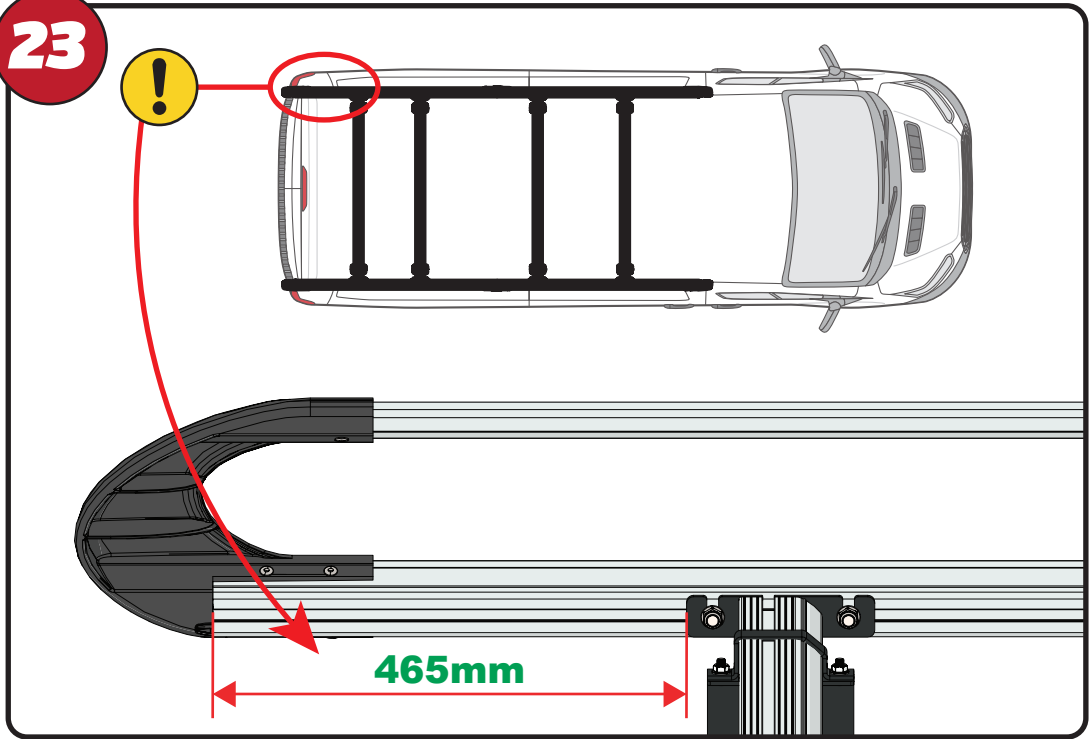
21



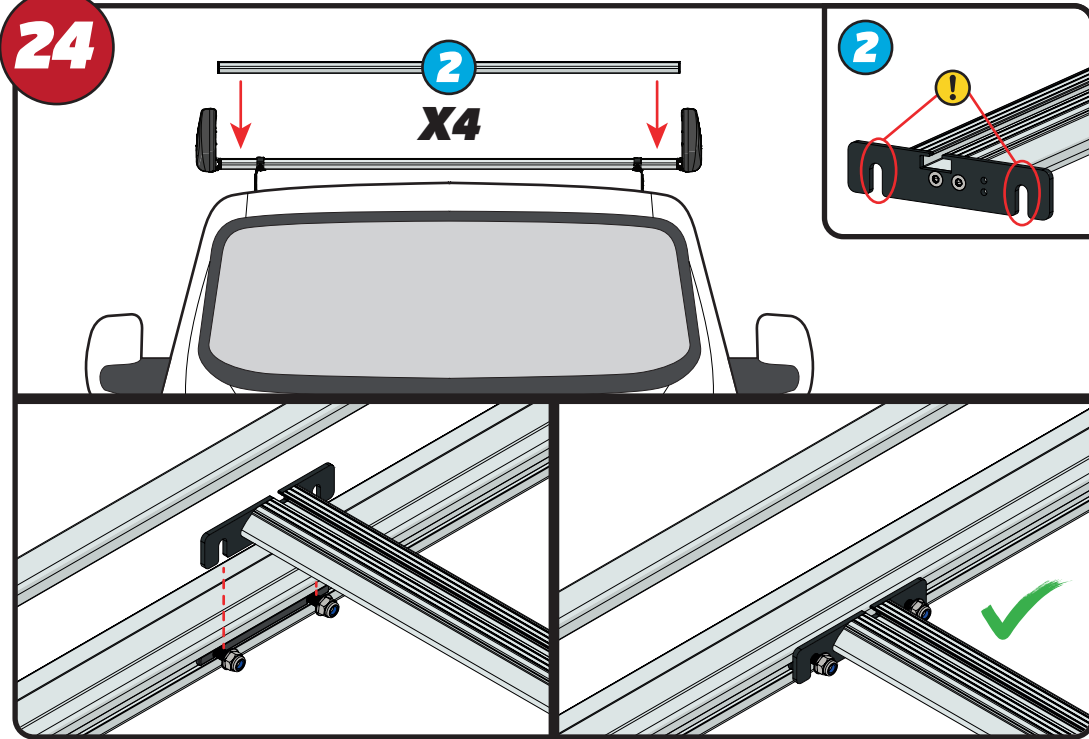
22



23

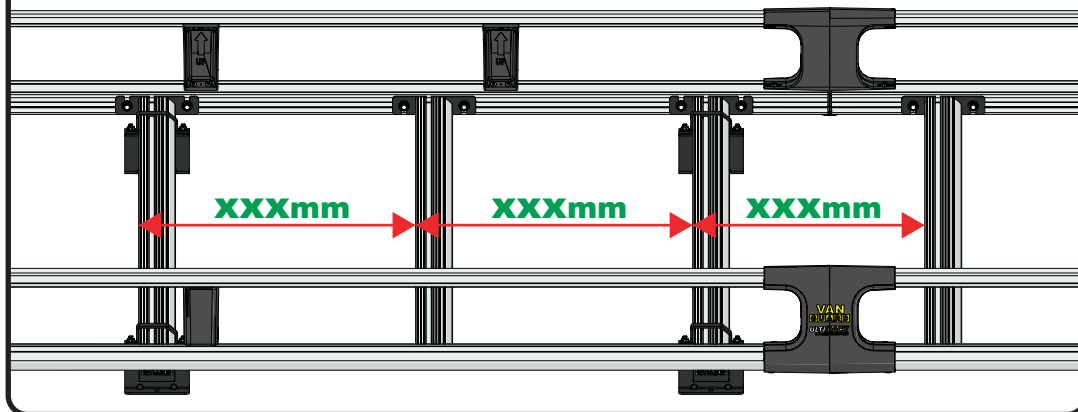
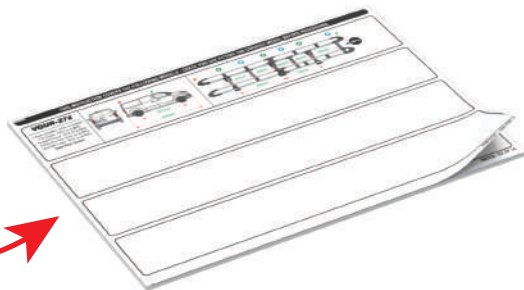
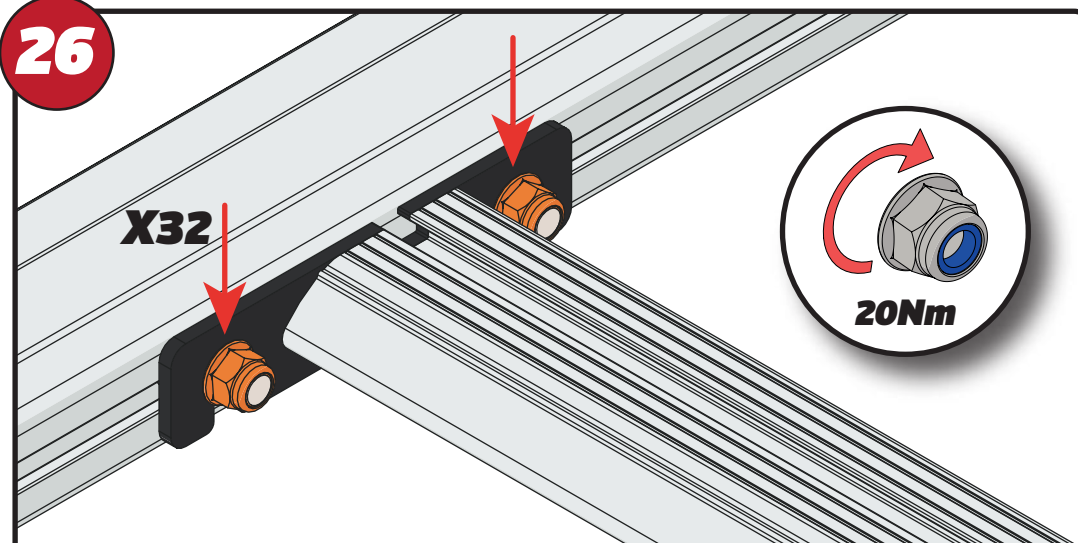


24



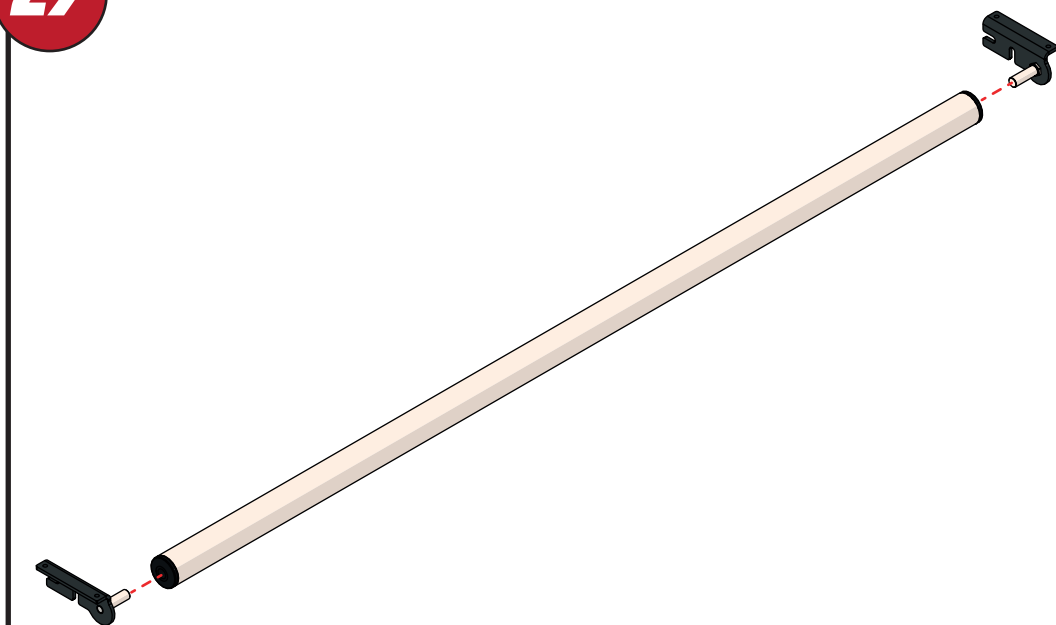
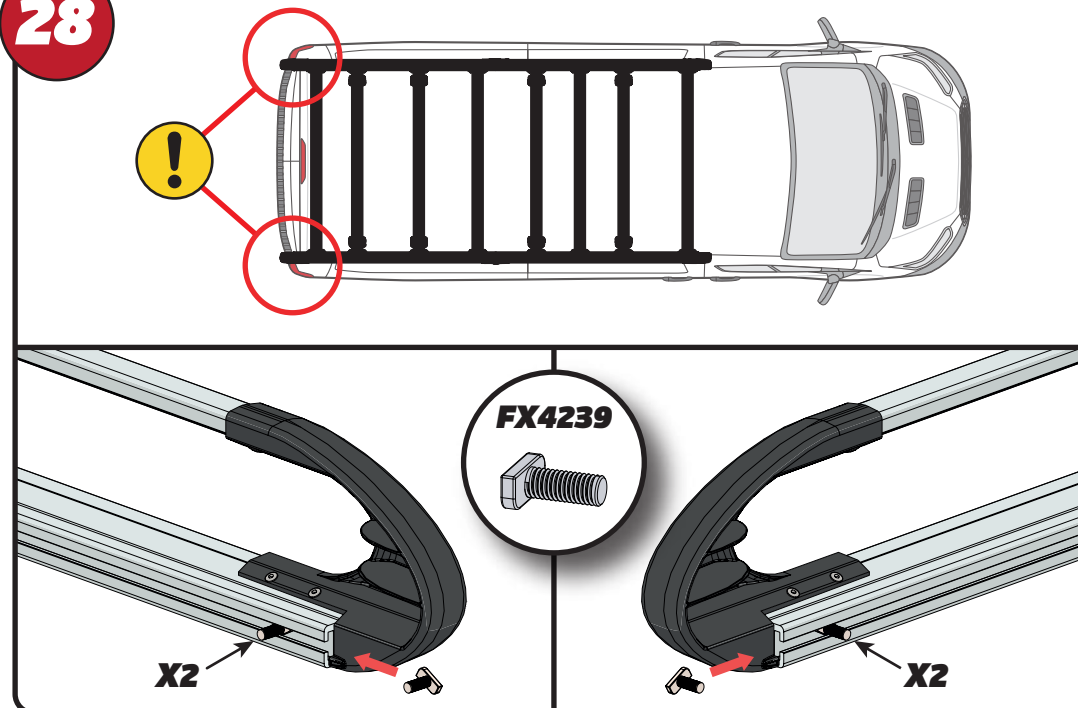
**25**

XXX =  
PAGE 2 OF 14

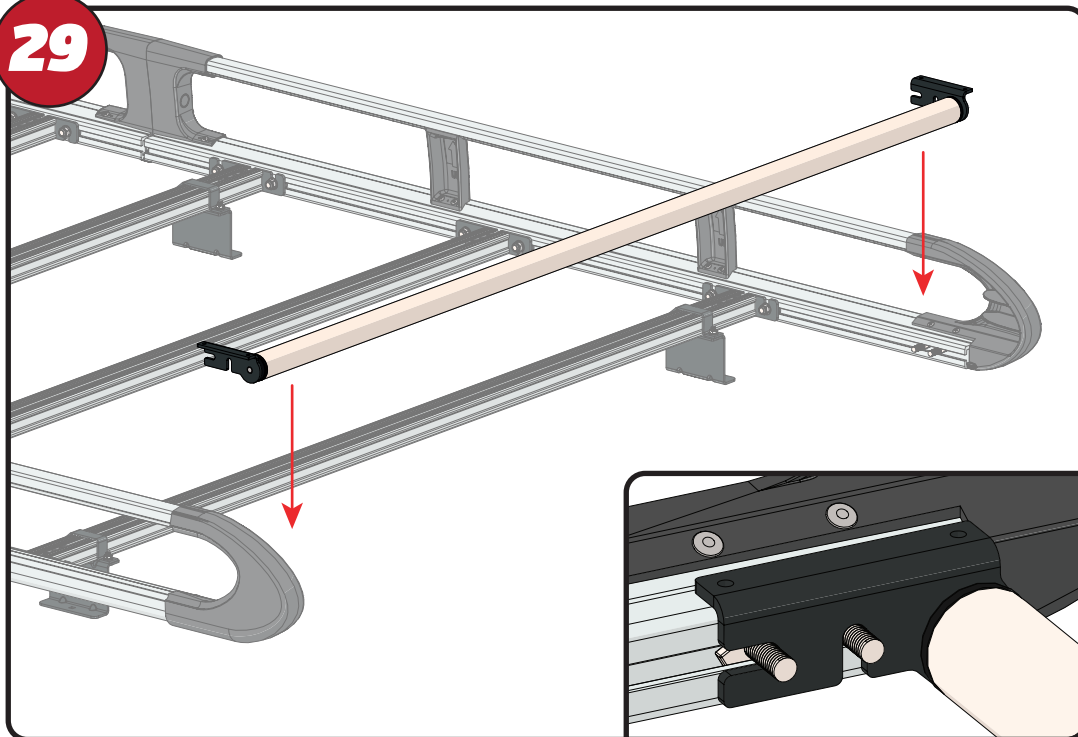
**26****X32****20Nm**

EN - TIGHTEN ALL OF THE CROSS BARS  
 DE - ALLE QUERSTANGEN FESTZIEHEN  
 FR - SERREZ TOUTES LES BARRES TRANSVERSALES  
 NL - DRAAI ALLE DWARSBALK VAN HET DAK AAN  
 ES - APRIETE TODAS LAS BARRAS TRANSVERSALES  
 IT - STRINGERE TUTTE LE BARRE TRASVERSALI

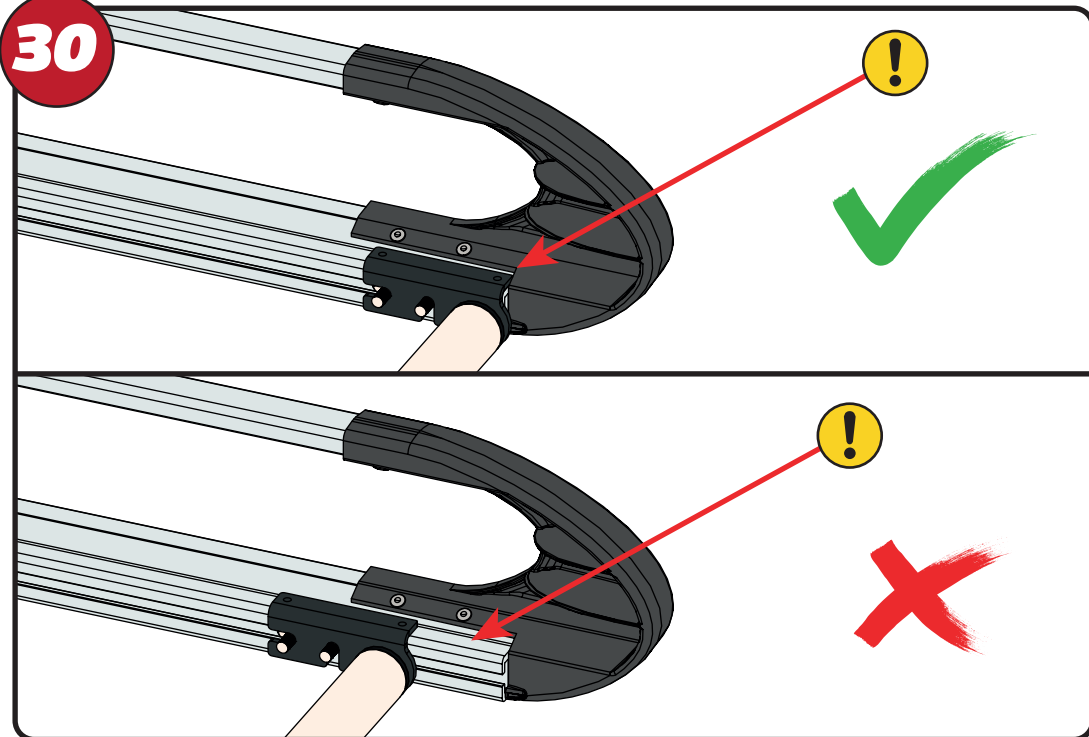
SV - SKRU UPP ALLA KORSSTANGAR  
 DA - SKRU ALLE TAGBØJLER OP  
 NO - SKRU OPP ALLE TVERRSTENGER  
 PL - DOKRĘCIĆ WSZYSTKIE POPRZECZKI  
 CS - VŠECHNY PŘÍČNÉ TYČE SEŠROUJTE

**27****28****FX4239****X2****X2**

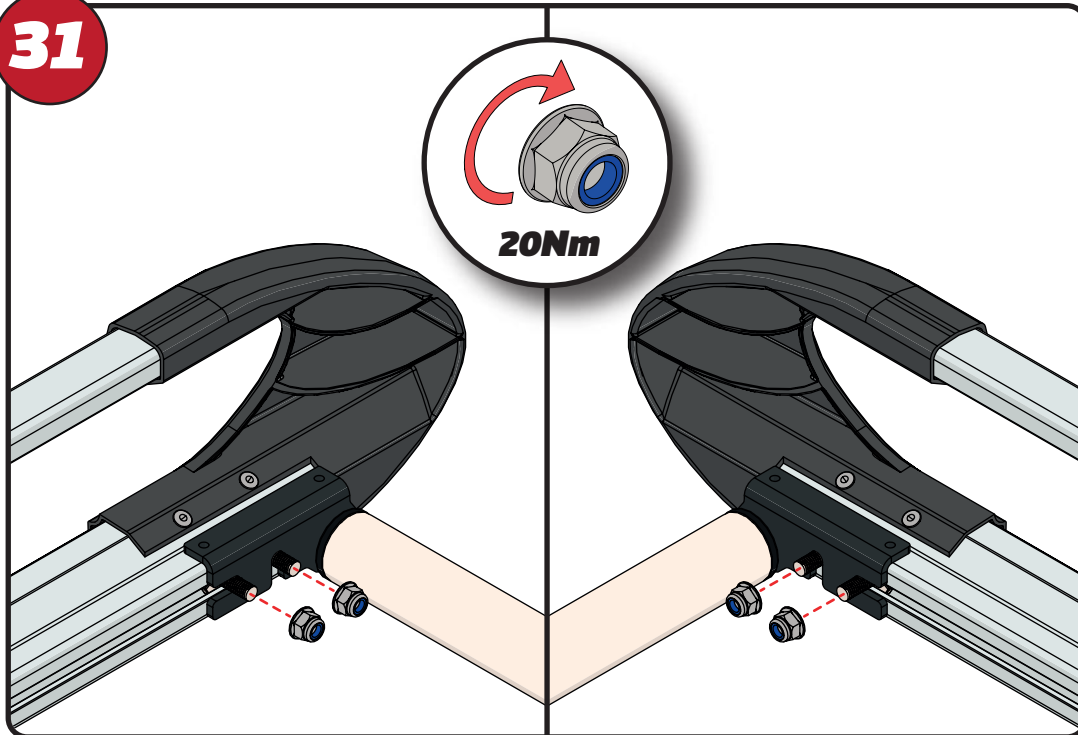
29



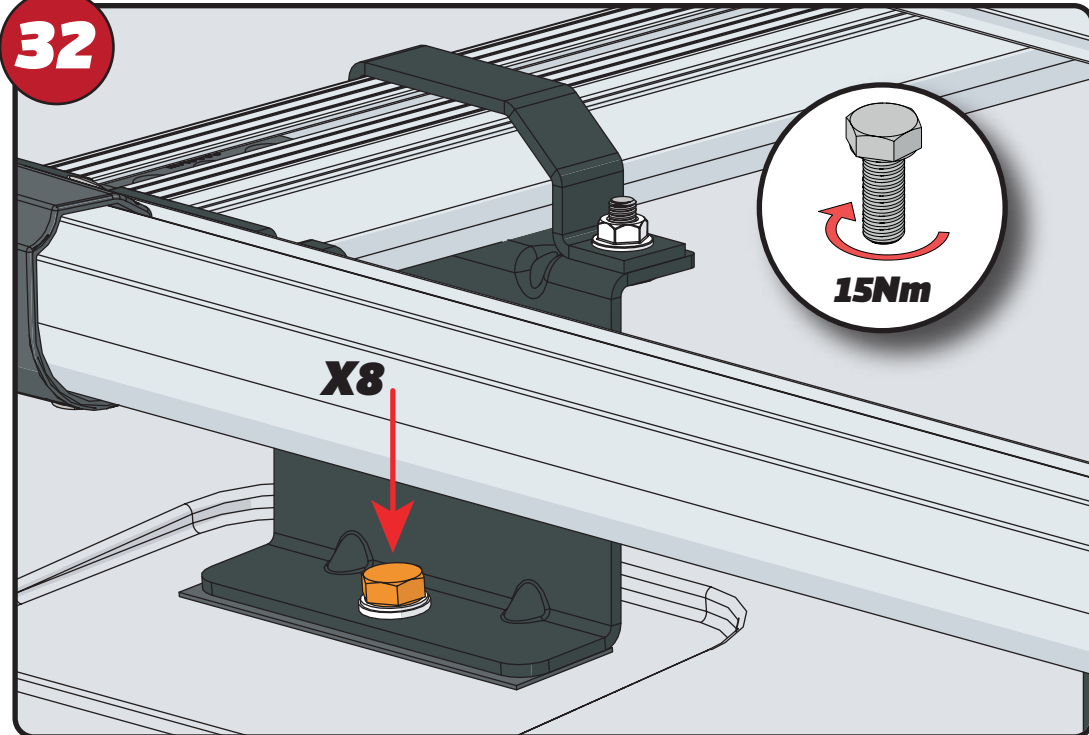
30



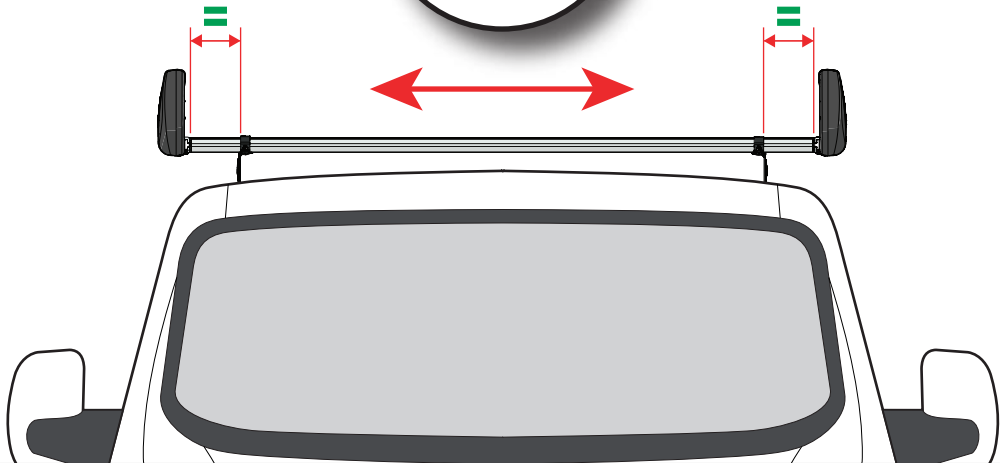
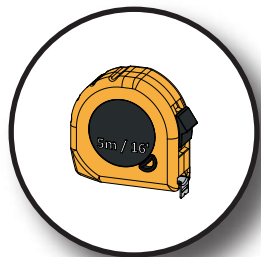
31



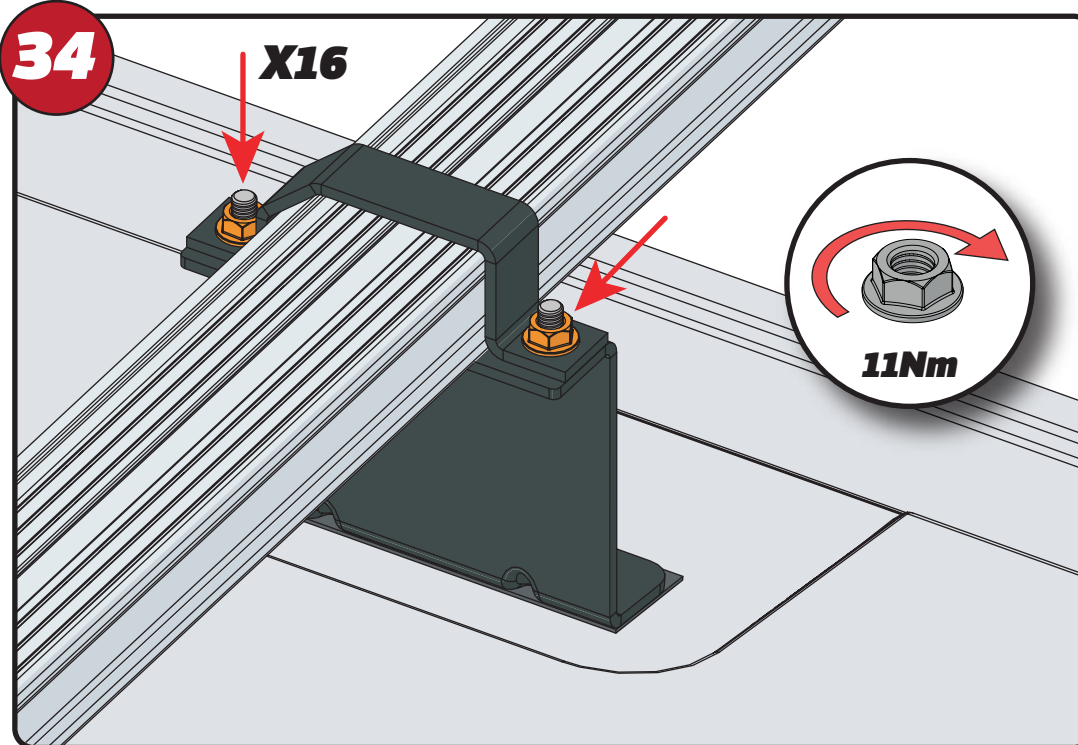
32



**33**



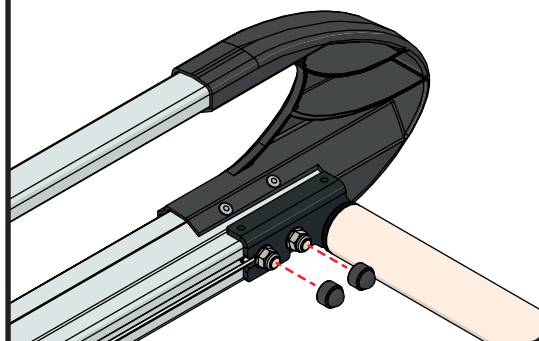
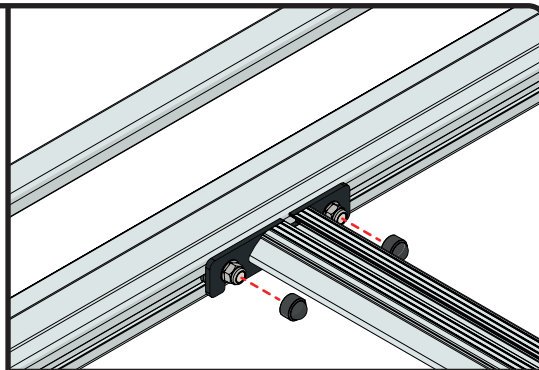
**34**



**35**



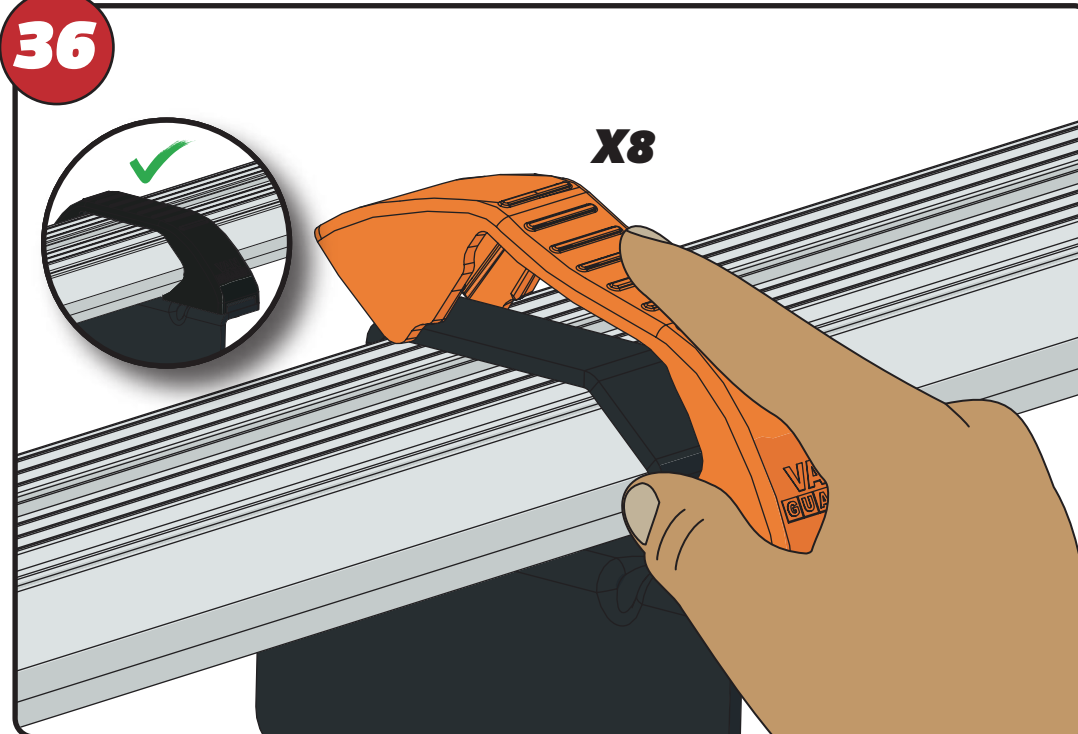
**X36**



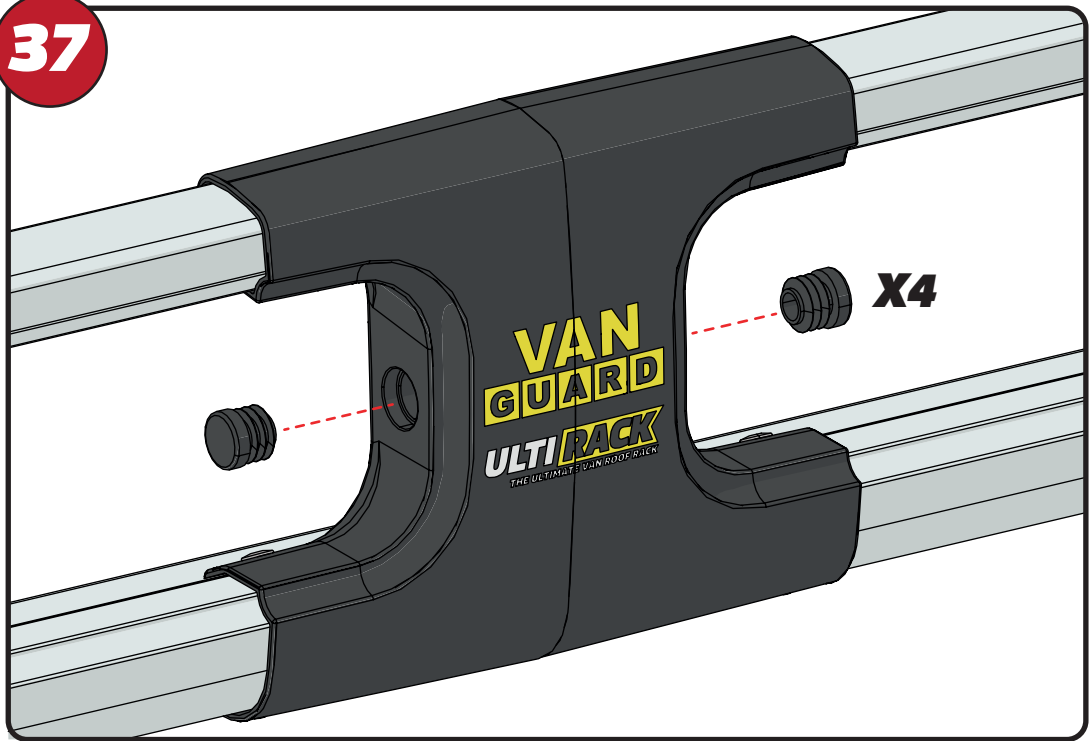
**36**



**X8**



37



38

