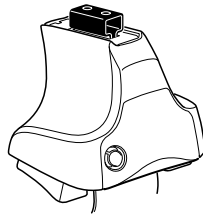
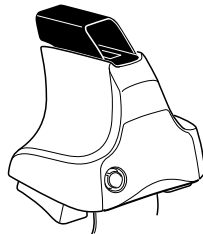
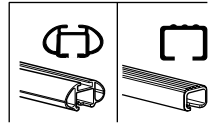


Kit 1665

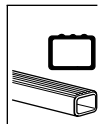
FORD Ranger, 4-dr Double Cab, 11-



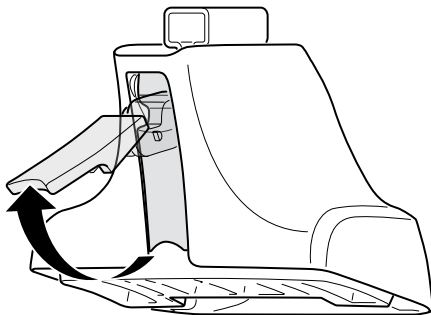
754 Rapid System
480R Rapid Traverse (North America)



480 Traverse (North America)



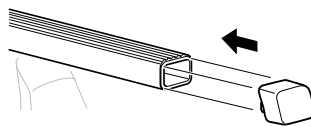
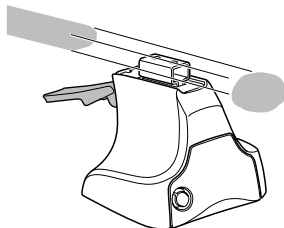
1



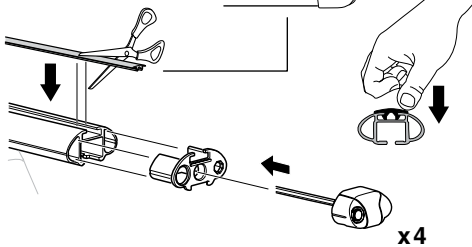
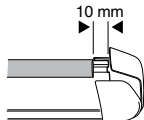
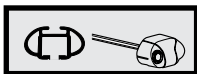
2



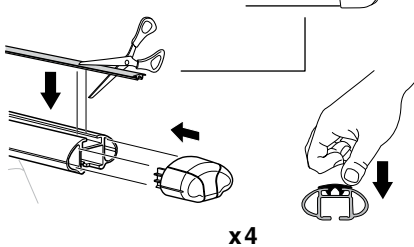
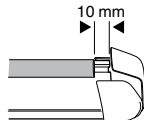
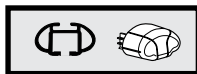
754 Rapid System
480R Rapid Traverse
(North America)



x4



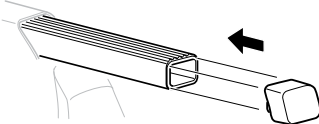
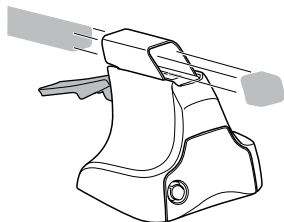
x4



x4

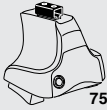


480 Traverse
(North America)

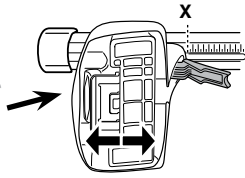


x4

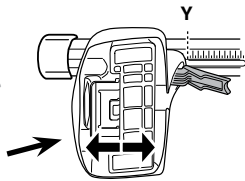
3



754 Rapid System

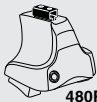


	X
FORD Ranger, 4-dr Double Cab, 11-	45,5



	Y
FORD Ranger, 4-dr Double Cab, 11-	44

3

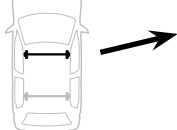


480R Rapid Traverse

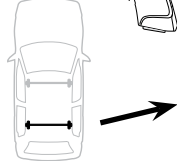


480 Traverse

(North America)

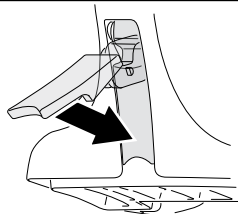


	X inch	X mm
FORD Ranger, 4-dr Double Cab, 11-	43 1/2"	1106 mm



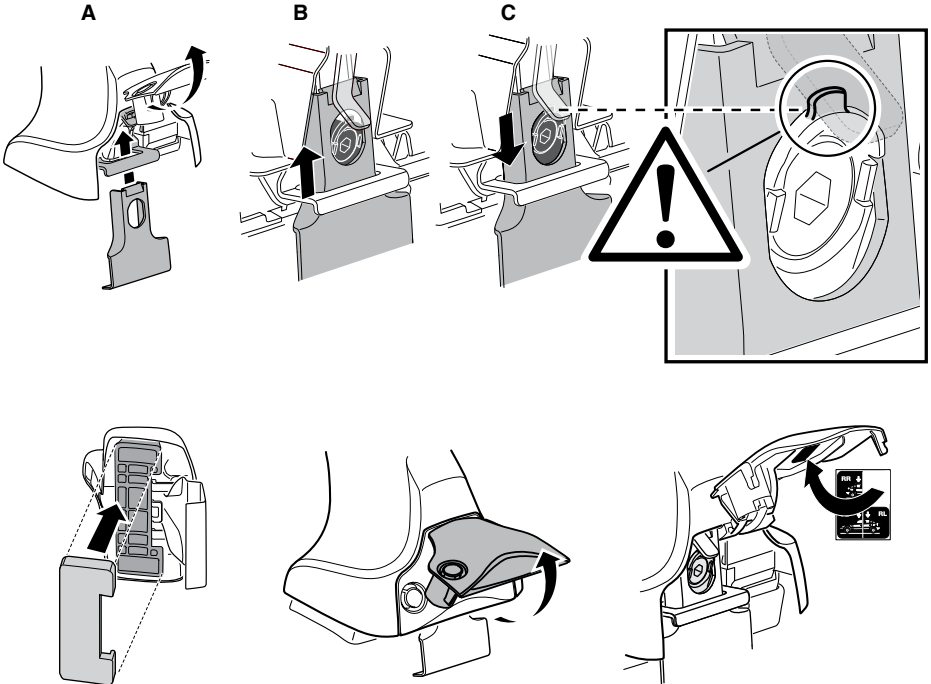
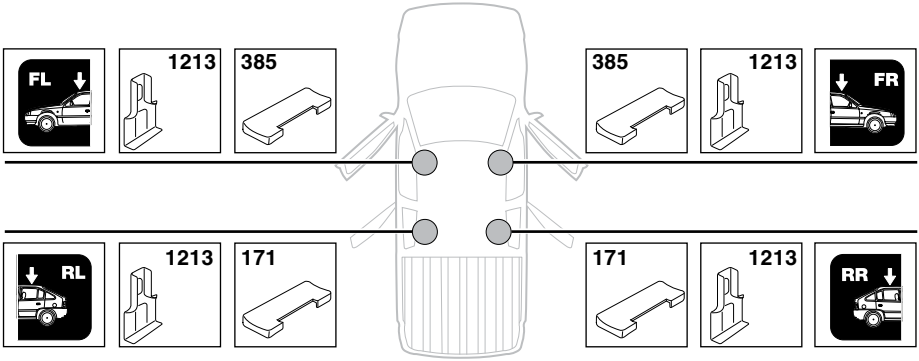
	Y inch	Y mm
FORD Ranger, 4-dr Double Cab, 11-	43"	1091 mm

4

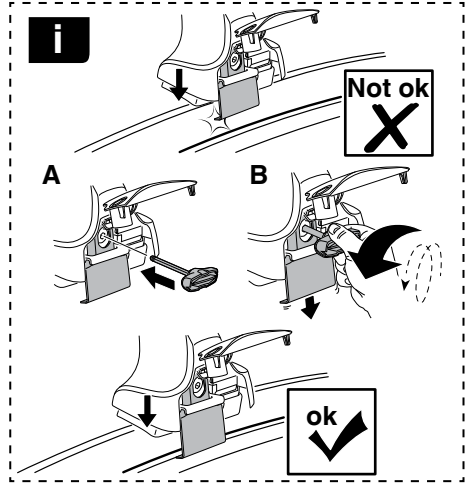
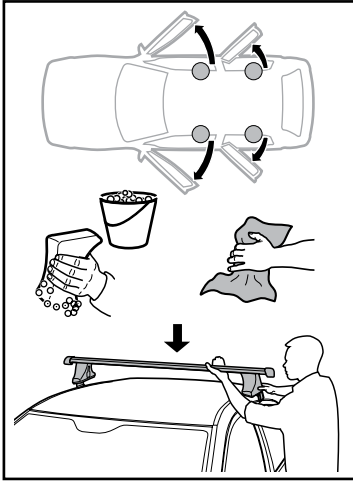


5

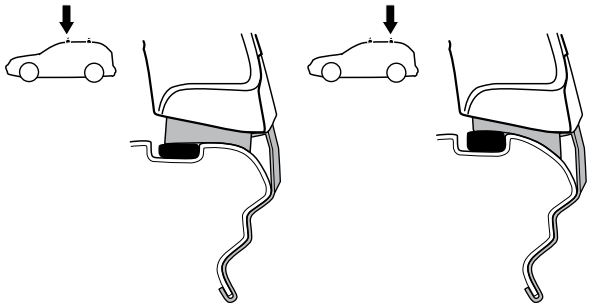
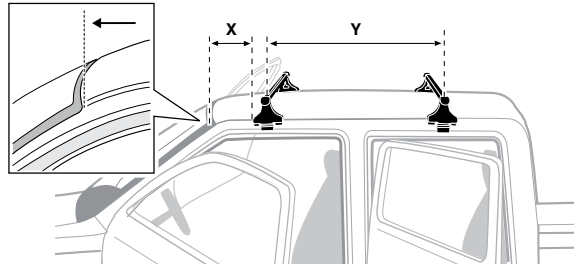
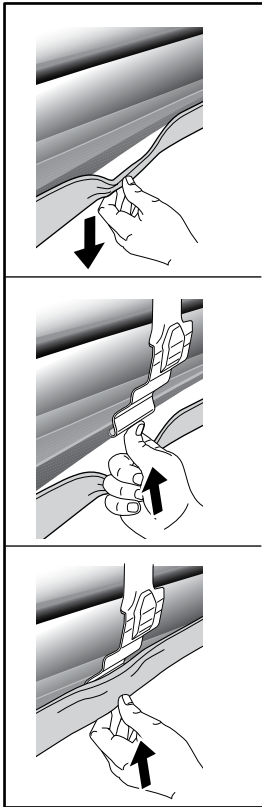
FORD Ranger, 4-dr Double Cab, 11-



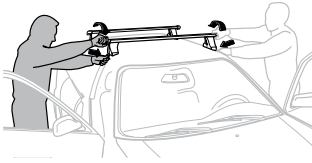
6



	X mm	Y mm	X inch	Y inch
FORD Ranger, 4-dr Double Cab, 11-	235 mm	700 mm	9 1/4"	27 1/2"



7



GB/US Tighten alternately
 D Die Schrauben abwechselnd anziehen
 F Serrer alternativement chaque côté
 NL Afwisselend aan de linker- en de rechterkant aandraaien
 I Alternare il serraggio delle viti
 E Apertar alternativamente
 PT Aperte alternadamente
 S Dra åt växelvis
 FIN Kierrä vuorotellen
 EST Pinguldage vaheldumisi
 LAT Pieļieciet pamišus
 LIT Užsukinėkite pakaitomis
 PL Śruby dokręcaj naprzemiennie
 RU Затягивайте попеременно

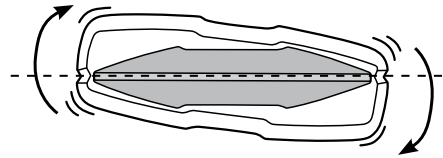
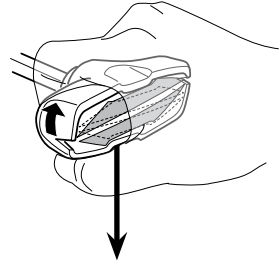
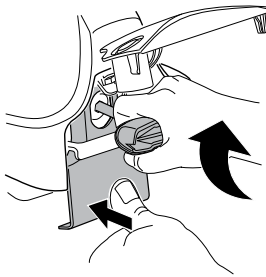
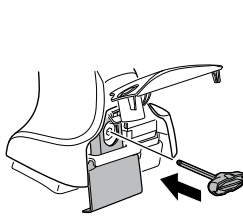
CZ Pokręťta bagażnika dokręcaj naprzemiennie.
 SK Dofahajte striedavo
 SLO Privijajte izmenično.
 HR Naizmjenočno zategnite
 HU Egymástól függetlenül szorítandó
 GR Σφιγίγεται εναλλάξ
 TR Dönüşümlü sıkın

中文 交替拧紧

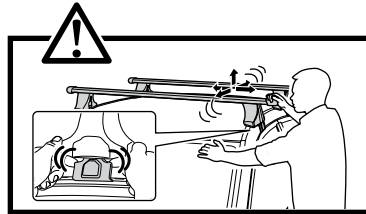
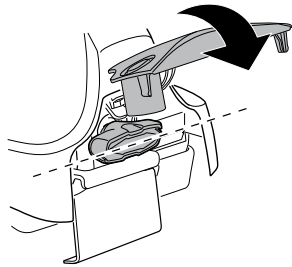
한국어 번갈아 가며 조이십시오.

日本語 交互に締め付けてください。

ไทย ชันในแบบสลับ



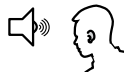
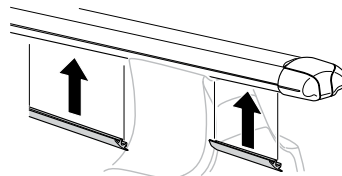
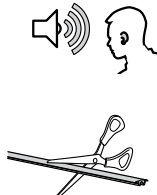
≈ 3 Nm

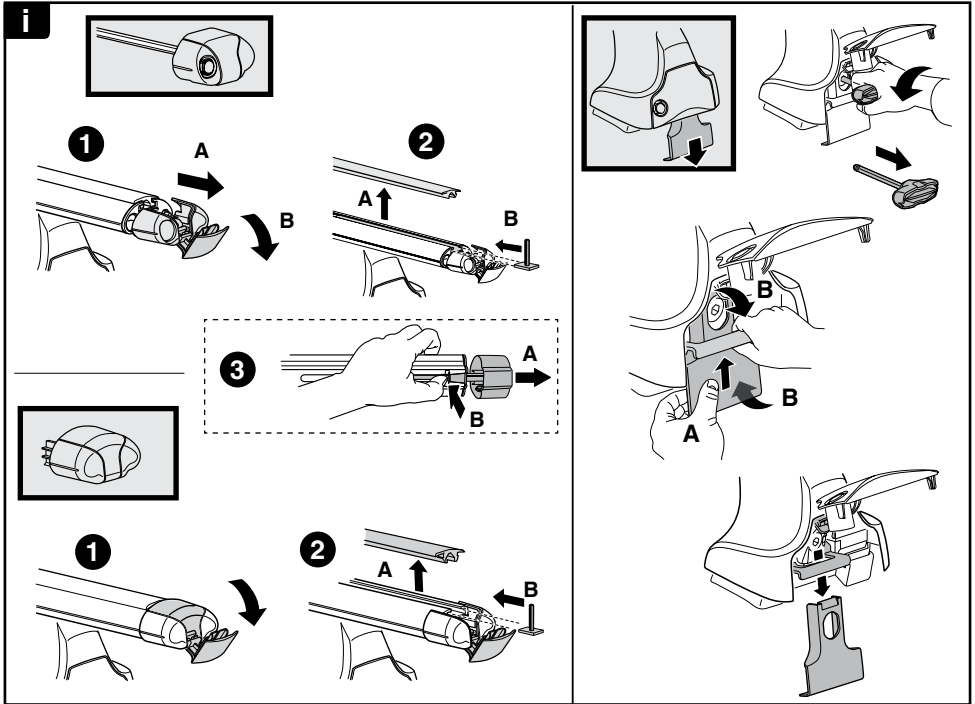
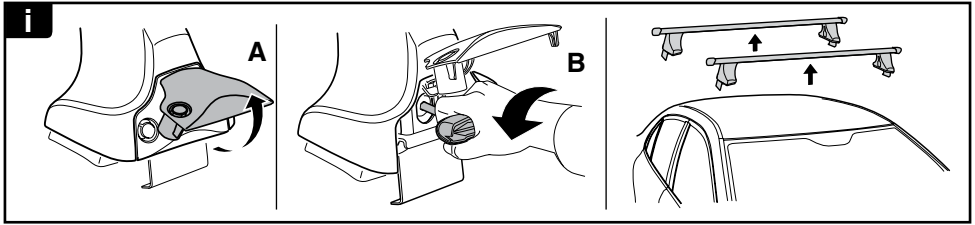


8

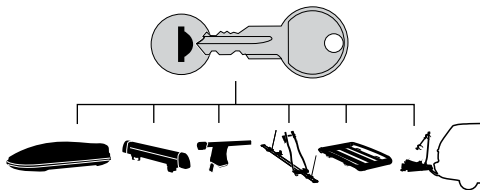


x1
17 mm





THULE
SWEDEN
**ONE
KEY
SYSTEM**



544 (x4)

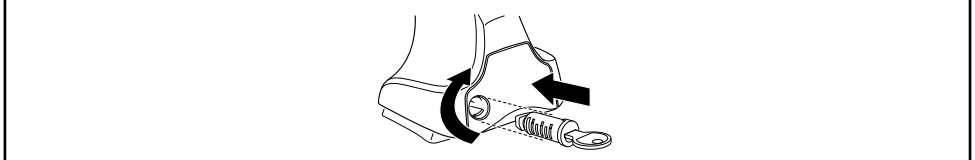
596 (x6)

588 (x8)

NA **510** (x10)

EUR **452** (x12)

ASIA



WW ▶ Thule Sweden AB, Box 69, 330 33 Hillerstorp, SWEDEN

NA ▶ Thule Inc., 42 Silvermine Road, Seymour, Connecticut 06483, USA

info@thule.com

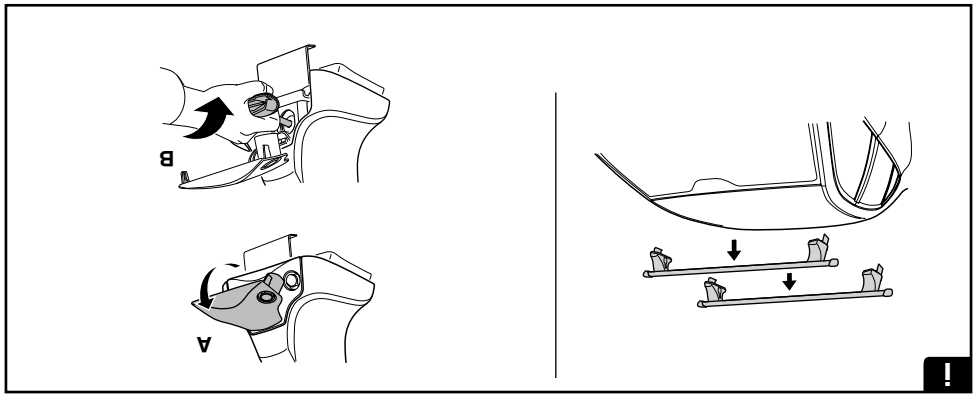
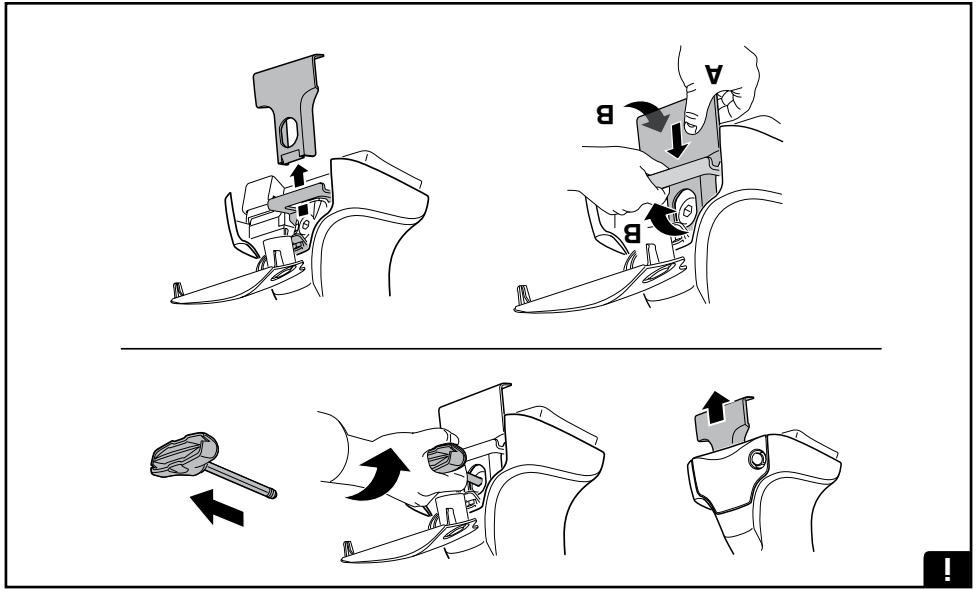
customer.service@thule.com

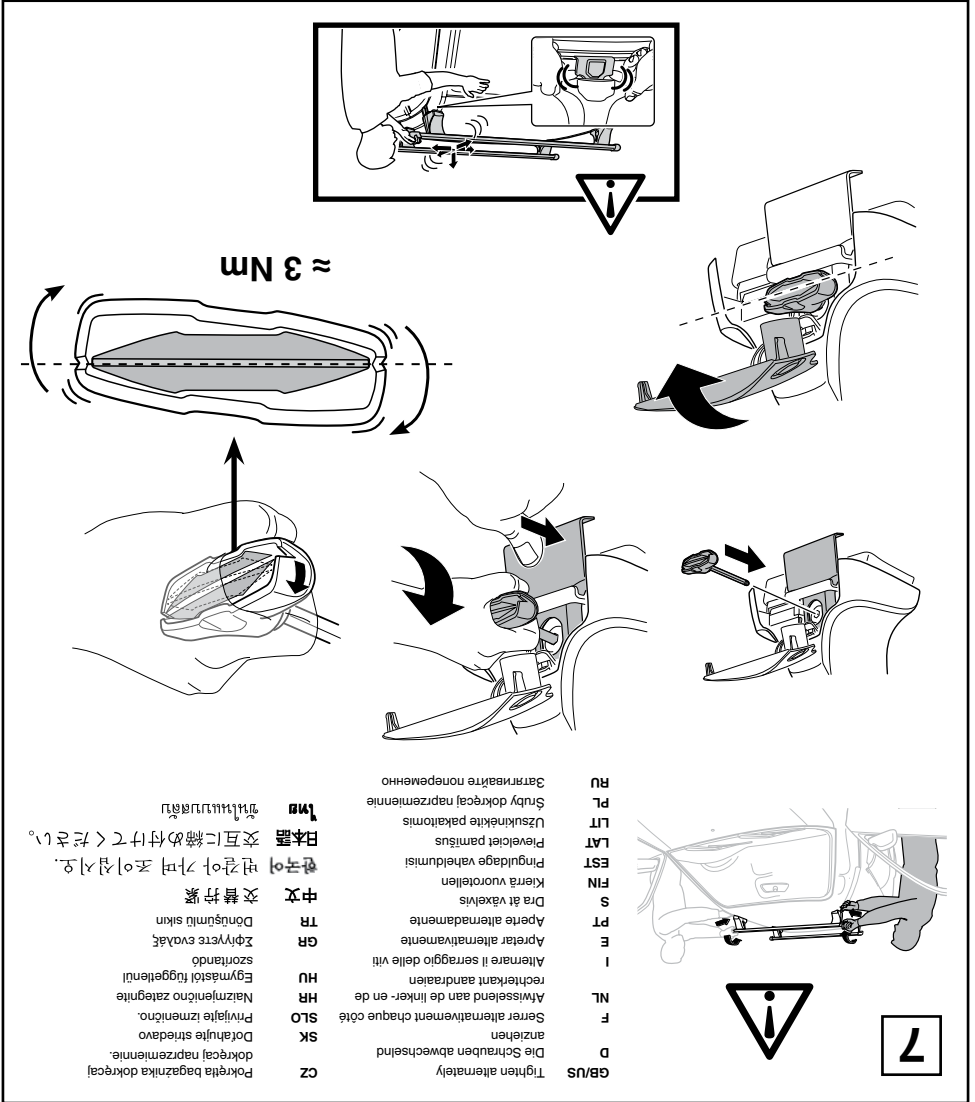
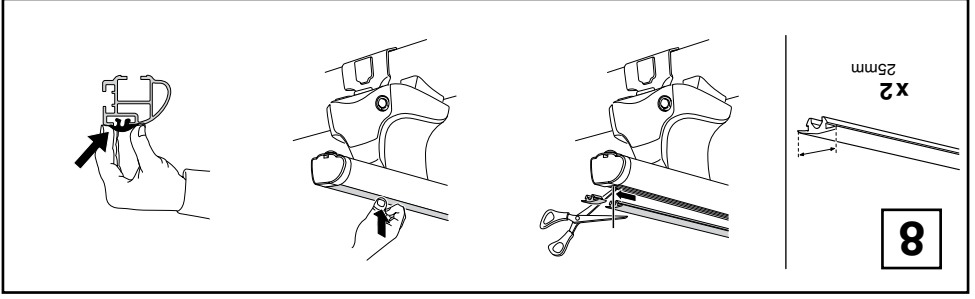
 www.thule.com

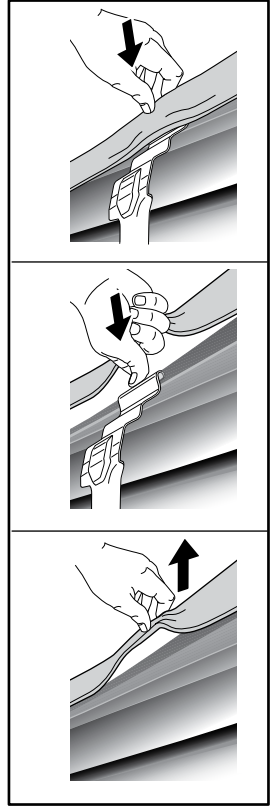
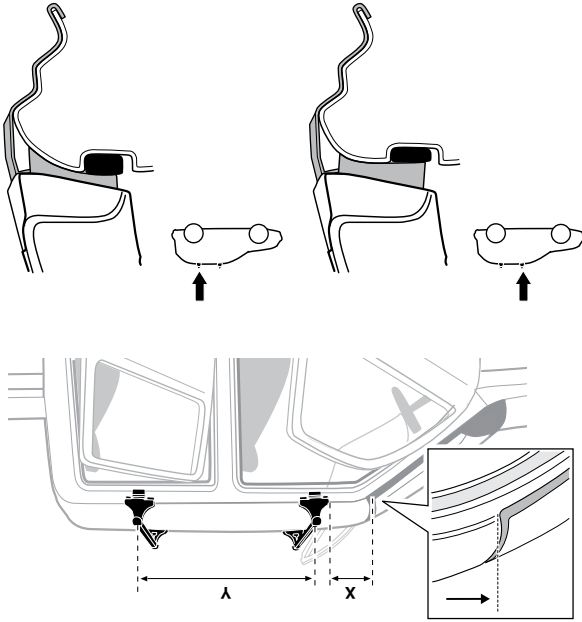
www.thuleprofessional.com

info@thule.com
customer.service@thule.com

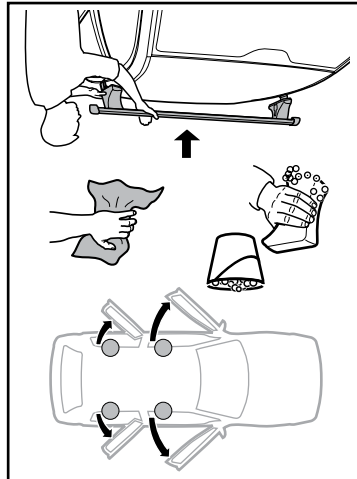
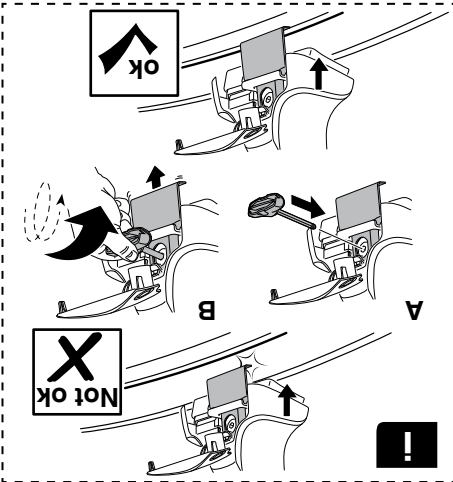
NA Thule Inc., 42 Silvermine Road, Seymour, Connecticut 06483, USA
SW Thule Sweden AB, Box 69, 330 33 Hillerstorp, SWEDEN

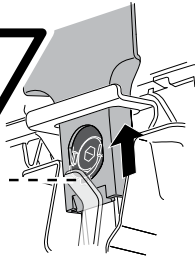
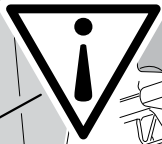
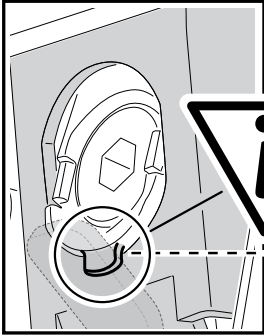
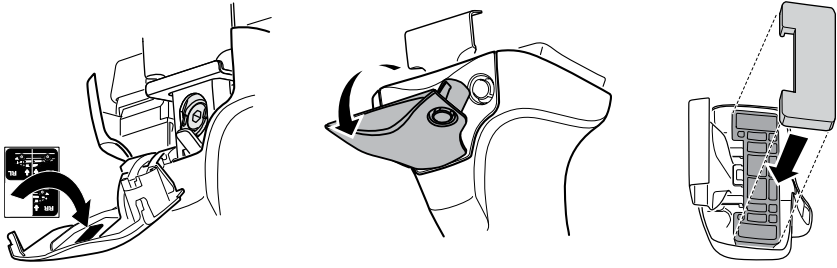




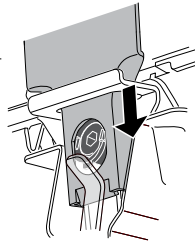


FORD Ranger, 4-dr Double Cab, 11-	235 mm	700 mm	9 1/4"	27 1/2"
	X mm	Y mm	X inch	Y inch

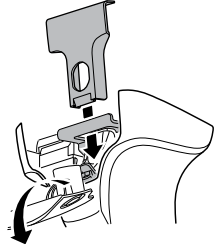




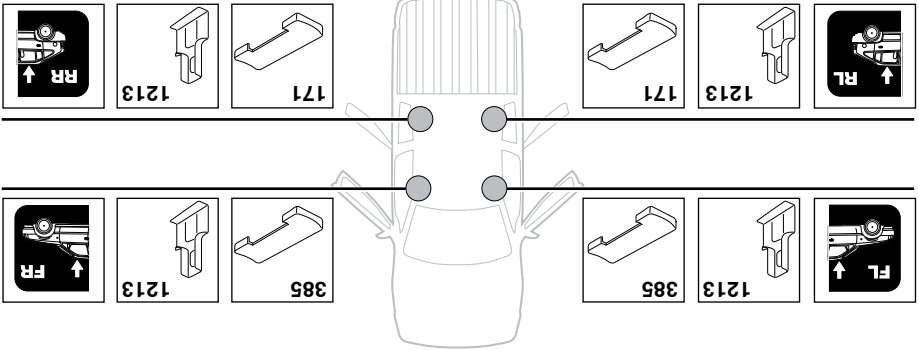
A

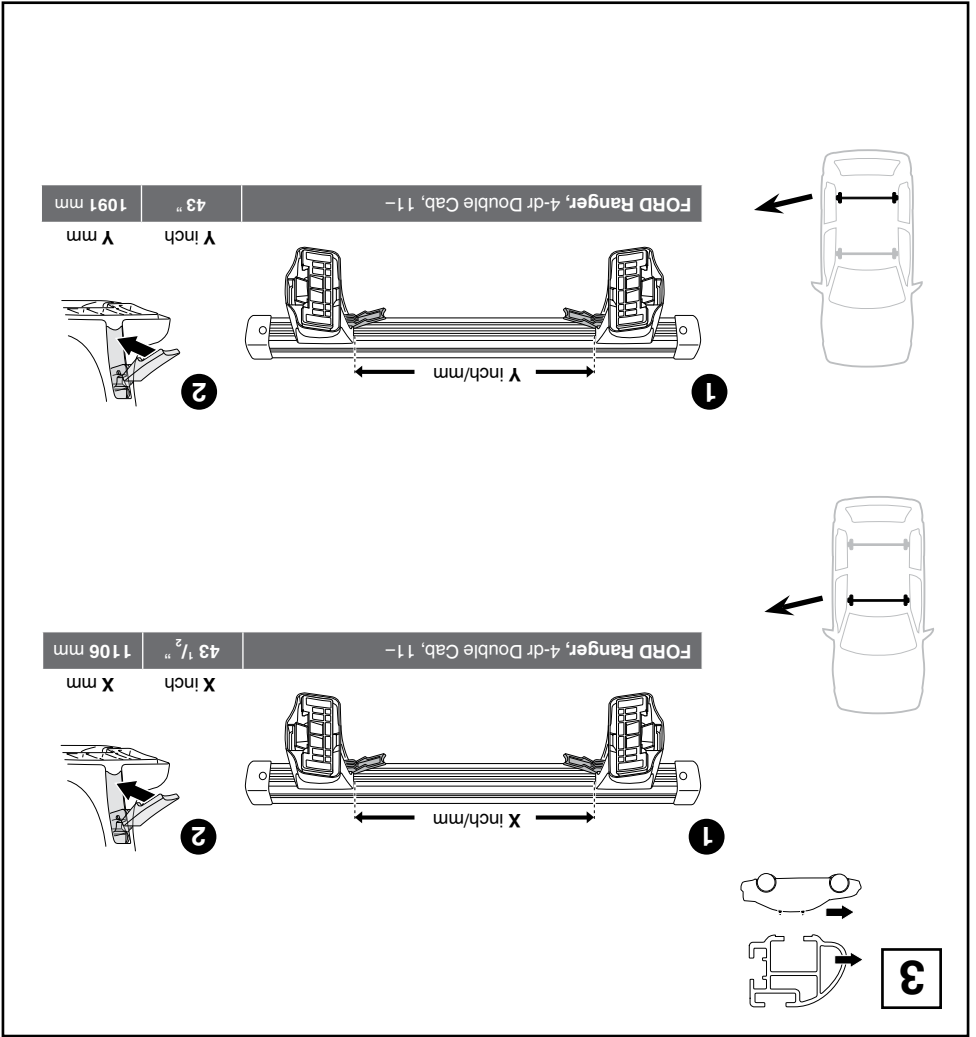
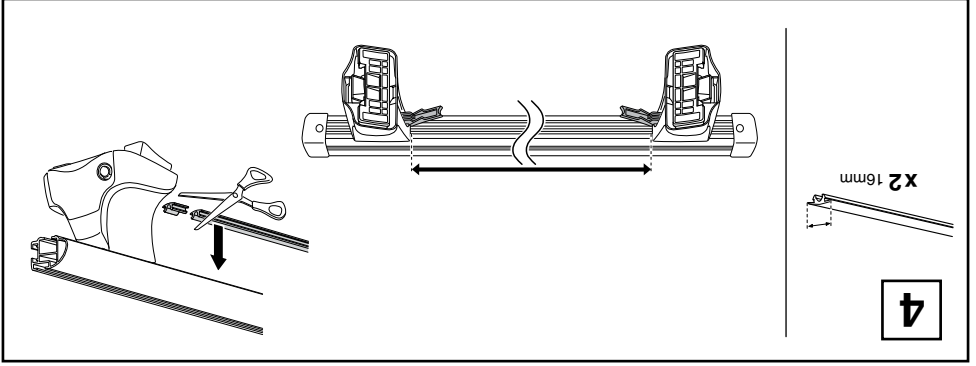


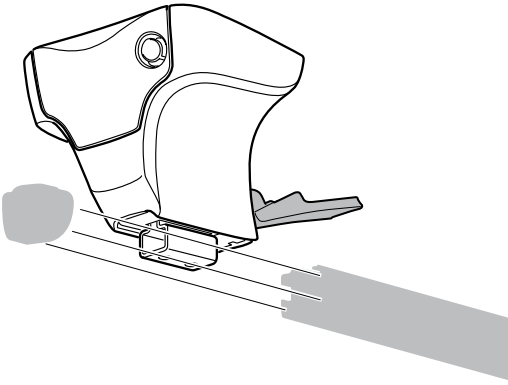
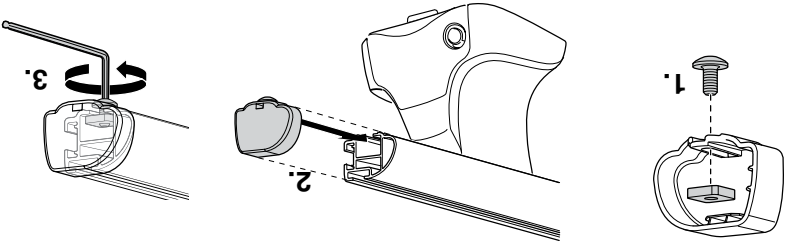
B



C

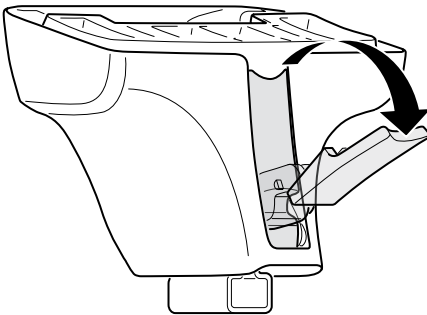




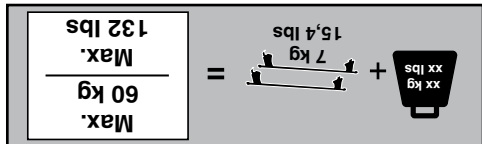
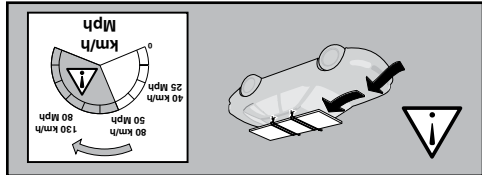
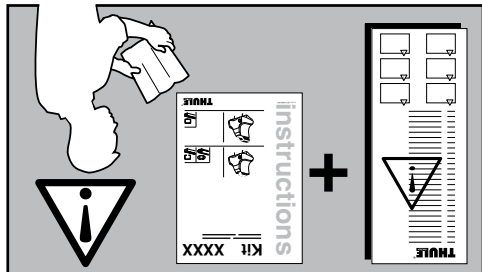
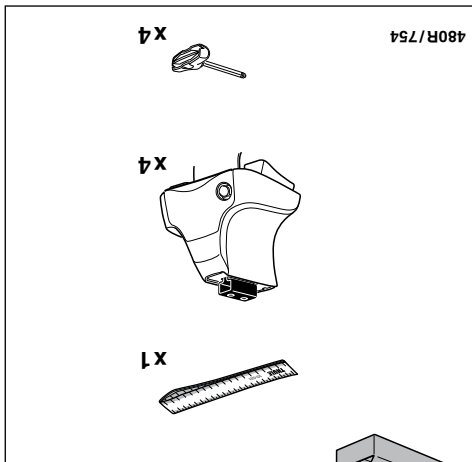
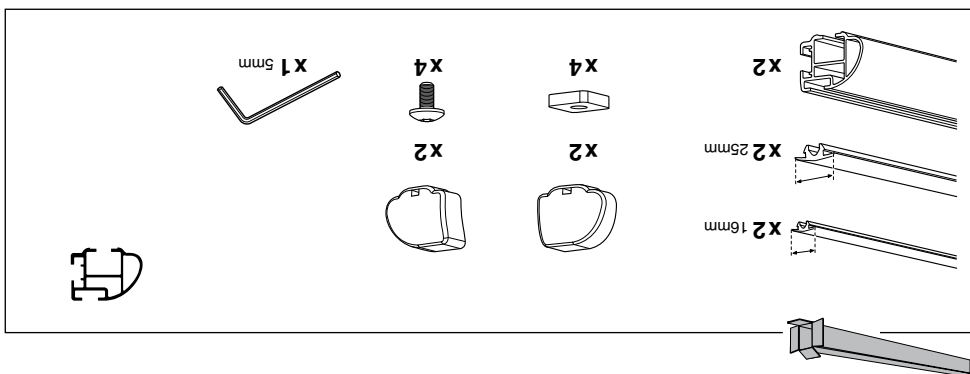
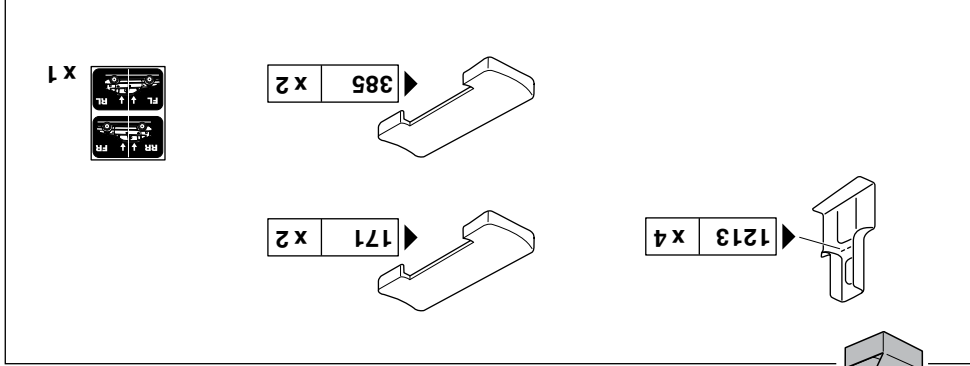


- x2 [Top Cover]
- x2 [Bottom Cover]
- x4 [Bracket]
- x4 [Screw]
- x1 5mm [Allen Key]

2



1

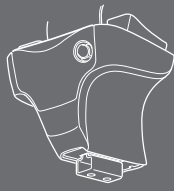


instructions

Kit 1665

FORD Ranger, 4-dr Double Cab, 11-

480R
754



ISO 11154-E

PROFESSIONAL

